

S354EVA

1/8 Off/Road/Nitro/Power Pro



SWORKZ S354EVA INSTRUCTION MANUAL

S35-4 EVO

1/8 Off Road Nitro Power Pro Buggy

INSTRUCTION

Further continuing with the successful SWORKz S35-4 1/8 Nitro Buggy platform, the latest S35-4 EVO is designed for an even higher level of racing.

The geometry from the worlds edition conversion kit provides optimized cornering speeds with a more easy handling feel and maximum traction.

The S35-4 EVO features a T7075 hard anodized and lightened aluminum chassis with a new short wheel base design that was tested for a long time by our factory pilots which guarantee the best speed balance for both front and rear suspensions.

HET differentials are included in the kit while the High Density Clutch Bell system are optional.

The new S35-4 EVO comes with a brand new steering Lay-Down Type Steering Bell crank servo savor system. This new Ackerman design provides the driver with better control over the S35-4 EVO buggy.

The SWORKz S35-4 EVO includes the latest Arched-Bridge-System and the higher capacity shock system. This is a big step for S35-4 EVO as it provides better stability to the buggy.

In the kit we also include special BBS pistons and oil seal parts that the worlds team drivers tested during the worlds. The parts are made by a high Precision Plastic mold machine.

Also included are specially made durable material parts for the suspension like inserts which our team drivers prefers and immediately felt more confident with them.

There are many more small changes and ideas in the new SWORKz S35-4 EVO. It is an evolution step designed and tested by the whole team that make the car even better.

The secret of a modern racing car is the possibility to adapt the car setup to every track for top pilots but also have a standard setup that works on most tracks for hobby pilots. The SWORKz S35-4 EVO fulfills these two characteristics.

Congratulations on your purchase of the new SWORKz S35-4 EVO 1/8 scale off-road racing buggy pro kit and thank you for trusting in SWORKz.

Please read this manual carefully, before you start to build and drive your SWORKz S35-4 EVO. This manual contains step-by-step instructions to helping you completing, preparing and fine tuning your buggy for racing. Updates, setups, and product news will be posted on all SWORKz digital media.

As always, if you should ever have any questions or need help with your SWORKz products, please feel free to contact our official SWORKz dealers and distributors.

S35-4 EVO Kit Features :

- T7075 Hard Anodized, Lightend Aluminium Chassis (New)
- Short Chassis Design (New)
- Higher Shock Towers (New)
- Longer Shock Bodies (New)
- Shorter Shock Shafts
- S35 Series BBS System Hex-Cell Shock (New)
- Shorter Front Shock Springs
- SWORKz 1/8 BBS Precision Plastic Shock Piston (New)
- Fixed Shock Spring Holder
- 3mm Updated Rear Shock Studs
- Ackerman Plate (New)
- Steering System (New)
- Servo Saver Aluminium Part (New)
- Servo Saver Plate (New)
- Servo Saver Post Locking Design (New)
- Steering Ball Studs (New)
- Steering Knuckle Plates (New)
- Updated Toe In Plates with Square Inserts (New)
- Aluminum Intensity F/F and R/F Narrow Lower Suspension Plate (New)
- New Carbon Center Diff Plate with Throttle Servo Linkage System (New)
- Nitro Series Center Brake Disk Holder (New)
- Lightweight Wing Mount
- SWORKz S35-4 Series Arched-Bridge-System Rear Lower Arm Set (New)
- Composite Rear Hubs with Carbon Plates
- Multi Adjustable Ball System for Rear Upper Arms
- Anticlock Screws for Shocks
- Aerodynamically Optimized Body Shell
- 3 HET Differentials Included
- 2 Front Chassis Braces Included
- Black Competition Shock Springs Included
- Adjustable Wing Position
- Adjustable Wing Angle
- More Balance Weight Positions
- Stronger Downstop Area
- Optimized Composite Material
- Aluminium Parts in T7075



Specification	
Length:	510mm
Width:	308mm
Height:	220mm
Ground Clearance:	65mm
Wheelbase:	325-330mm
Track:	F:304mm / R:306mm
Gear Ratio:	C:47/13T, F/R:43/13T
Weight:	3400g (Race condition)

WARRANTY

Your SWORKz S35-4 EVO kit warranty covers workmanship and manufacturing defects of the original and unmodified parts. Warranty claims resulting from crashes, abuse, improper operation, improper mounting, improper adjustment or lack of maintenance will not be honored.

Contact your local hobby shop or SWORKz distributor for all claims and questions. Claims must be well documented. All Claims are subject to expert examination approval by SWORKz.



INSTRUCTION	2
Warranty	3
INDEX	4
Required Equipment for Operation	5
Operation Guide	6
Assembly Steps	7-37
Set-up Sheet	38-39
S35-4 EVO Key No. List	40-41
S35-4 EVO Spare Part No. List	41-42
S35-4 EVO Option Part No. List	43
End cover	44

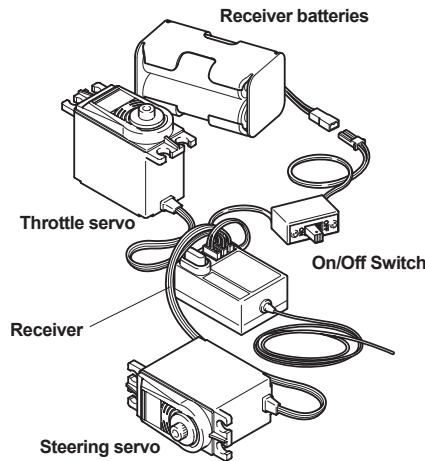
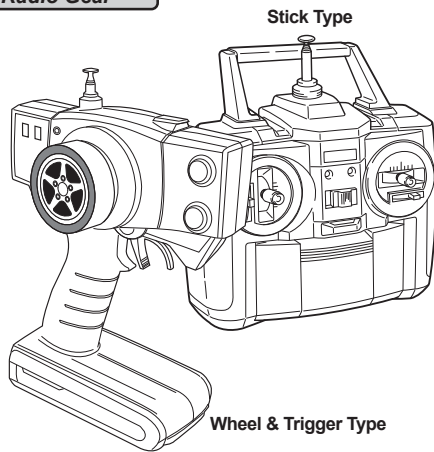


This radio controlled racing car is not a toy!

This high-performance R/C model is recommended for ages 14 and older.

Required Equipment for Operation

Radio Gear

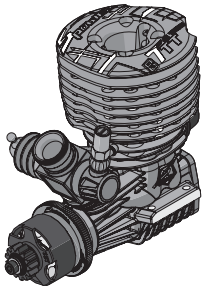


Nitro fuel

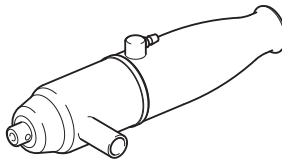
We recommend that you use fuel containing 16~25% nitro.



Engine Recommended



Spower Japan B7TT
Factory Tuned .21
Racing Engine
(Made by O.S. Japan)



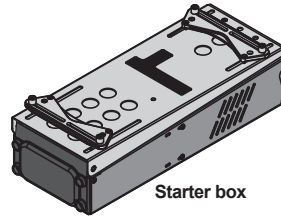
SP-80109
SPower Japan EFRA 2155
Tuned Pipe Set
(Made by O.S. Japan)

SP-80101S
SPower EFRA 2042 Tuned
Pipe Set with Manifold for
(80mm)(Made by O.S.)

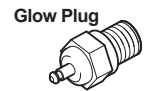
SP-80113
Spower Japan Mk II EFRA
2089 Tuned Pipe
(Made by O.S. Japan)

Engine Starting Equipment

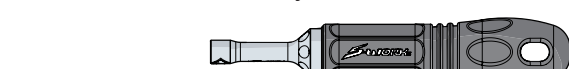
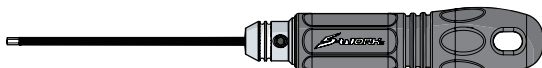
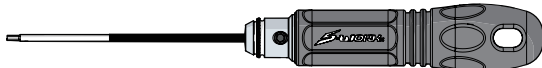
SW-950015 SWORKz
SB800 Twin Power
Starter Box for 1/8
OffRoad Series



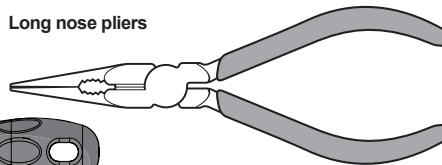
ST-3 Turbo Plug
ST-4 Turbo Plug



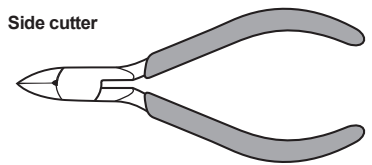
Tools Recommended



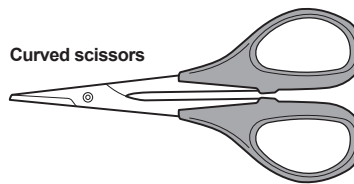
Long nose pliers



Side cutter



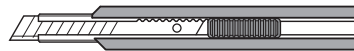
Curved scissors



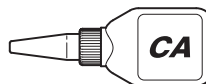
Paint



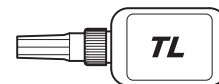
Modeling knife



Instant cement



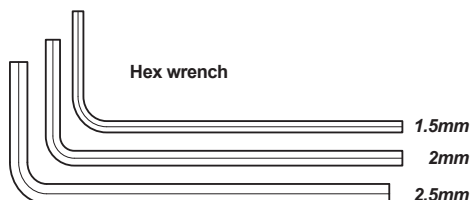
Thread lock



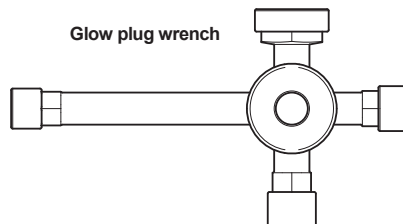
Double-sided tape



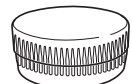
Included items



Glow plug wrench



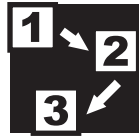
Grease



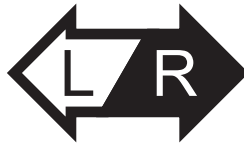
Operation Guide



Assemble front and rear



Assemble in the specified order



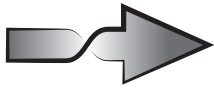
Assemble both left and right sides



Assemble for 2 sets



Assemble for 4 sets



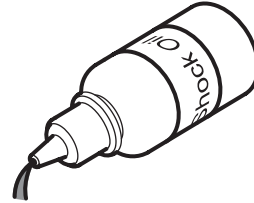
overturn



Thread Locking Compound



Grease



Pure Silicone Oil



Air filter oil

Safety Precautions

The SWORKz S35-4 EVO is a high performance radio control model which needs to be operated with caution and common sense.

The S35-4 EVO Kit is not intended for children under the age of 14 without adult supervision. SWORKz shall not be held liable for any loss or damages, whether direct, indirect, act of nature, arising from the abuse or misuse of this product or any other product required while operating this model.

- The nitro fuel can be dangerous is improperly handled.
- Always keep your nitro fuel in a cool area and never use near flame, sparks, or while smoking.
- Keep your nitro fuel, and all other flammables, out of the reach of children.
- Always run your model in a well ventilated area outdoors. Never run your model indoors.
- After running your car, all parts of the engine and exhaust can become extremely hot. Be careful not to touch these parts especially when refueling, or making repairs.
- This model is controlled by your radio controller and is sometimes vulnerable to interference from many outside sources. This interference can cause a loss of control so it is necessary to operate this model in an open area to avoid personal, or property damage. Always ensure turning on your radio first.
- Keep all the parts included in the package out of reach of children.
- This model contains many fast rotating parts. Never touch them during operation.
- Follow the instructions included with your radio gear.
- Never operate your model near people or property. The speed of this model has the potential to injure and or damage people and or property.
- Always use original SWORKz spare parts and option parts.
- Always ensure that the buggy is in proper working condition before use.

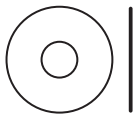
BAG B

1 **F** **R** **x2**

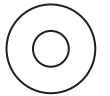
330015
Pin M2.2x9.9mm **x4**



400002
O-ring S5 4.8X1.5 **x4**



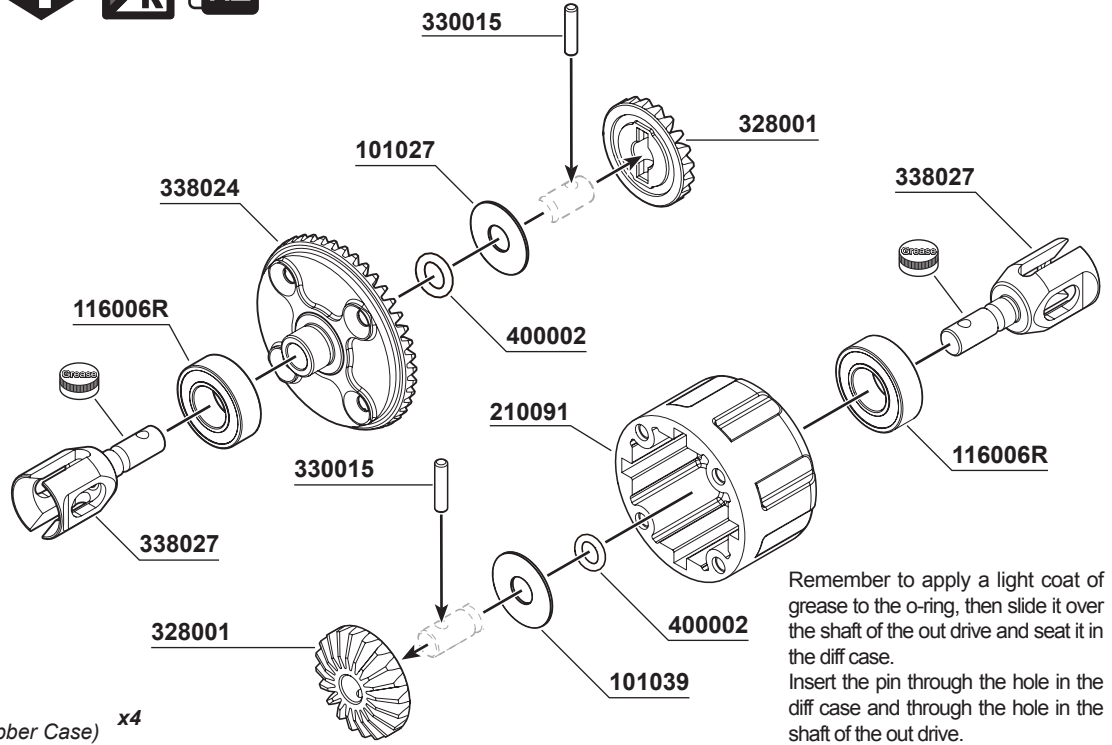
101027
Washer 5x14x0.5 **x1**



101039
Washer 5x12x0.3 **x1**



116006R
Ball Bearing 8x16x5mm (Red Rubber Case) **x4**

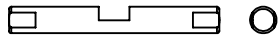


Remember to apply a light coat of grease to the o-ring, then slide it over the shaft of the out drive and seat it in the diff case.
Insert the pin through the hole in the diff case and through the hole in the shaft of the out drive.

2 **F** **R** **x2**



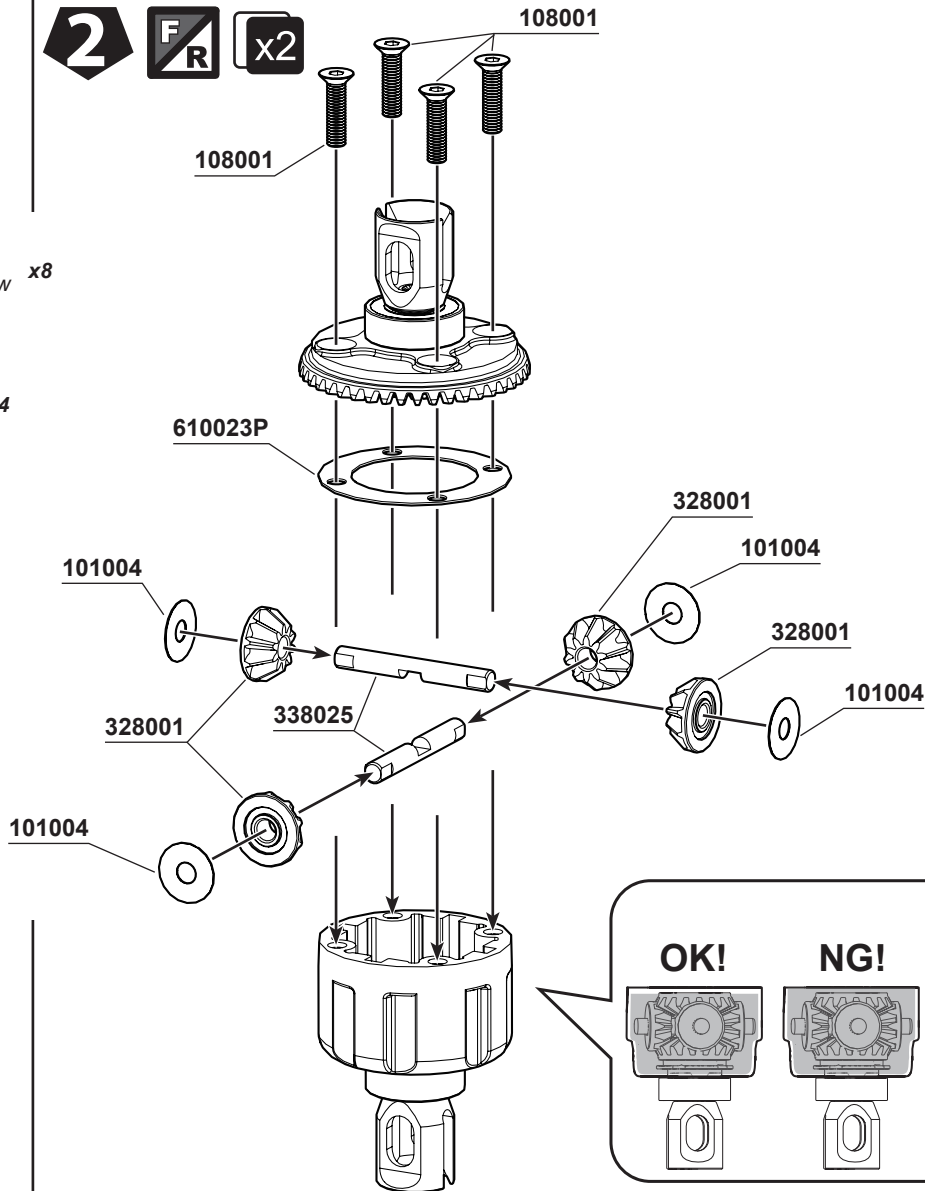
108001
M3x12mm FH/ST HEX Screw **x8**



338025
S35-3W Bevel Gear Shaft **x4**



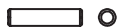
101004
Washer 3.5X10X0.2mm **x8**



OK!

NG!

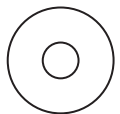
Fill the differentials with oil up to 80% above the satellite gears.
Put the SWORKz Diff. Oil 10000cps for the front Diff. and 5000cps for the rear Diff.



330015
Pin M2.2x9.9mm x2



400002
O-ring S5 4.8X1.5 x2



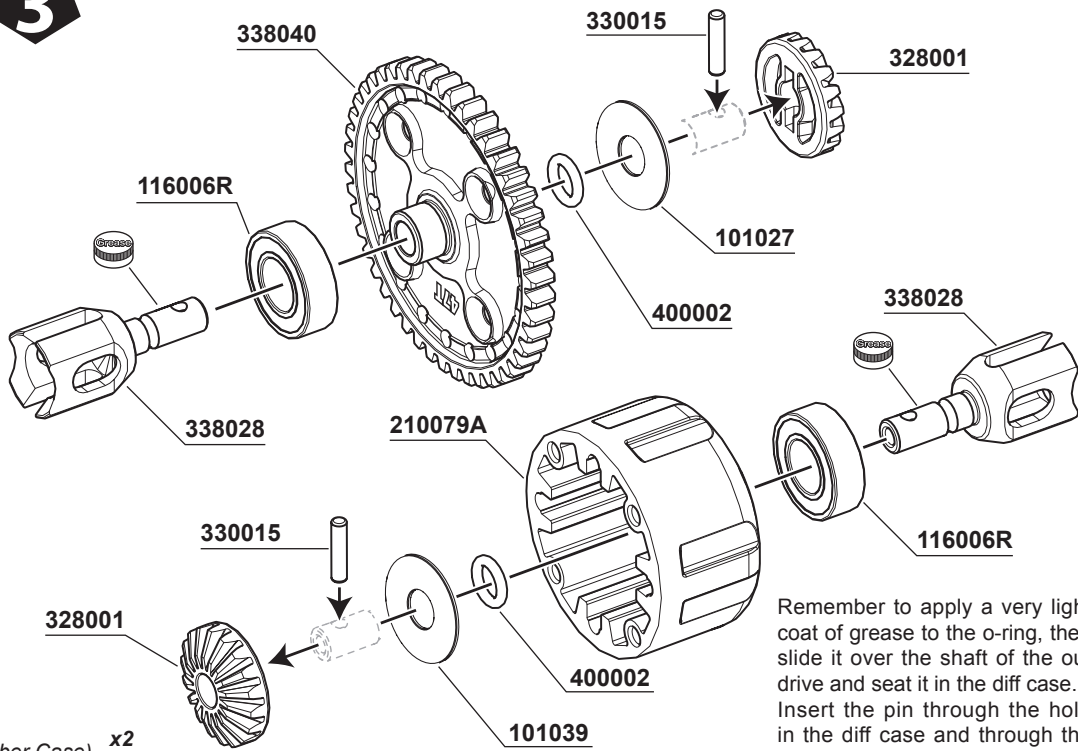
101027
Washer 5x14x0.5 x1



101039
Washer 5x12x0.3 x1



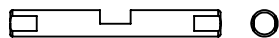
116006R
Ball Bearing 8x16x5mm (Red Rubber Case) x2



Remember to apply a very light coat of grease to the o-ring, then slide it over the shaft of the out drive and seat it in the diff case. Insert the pin through the hole in the diff case and through the hole in the shaft of the out drive.



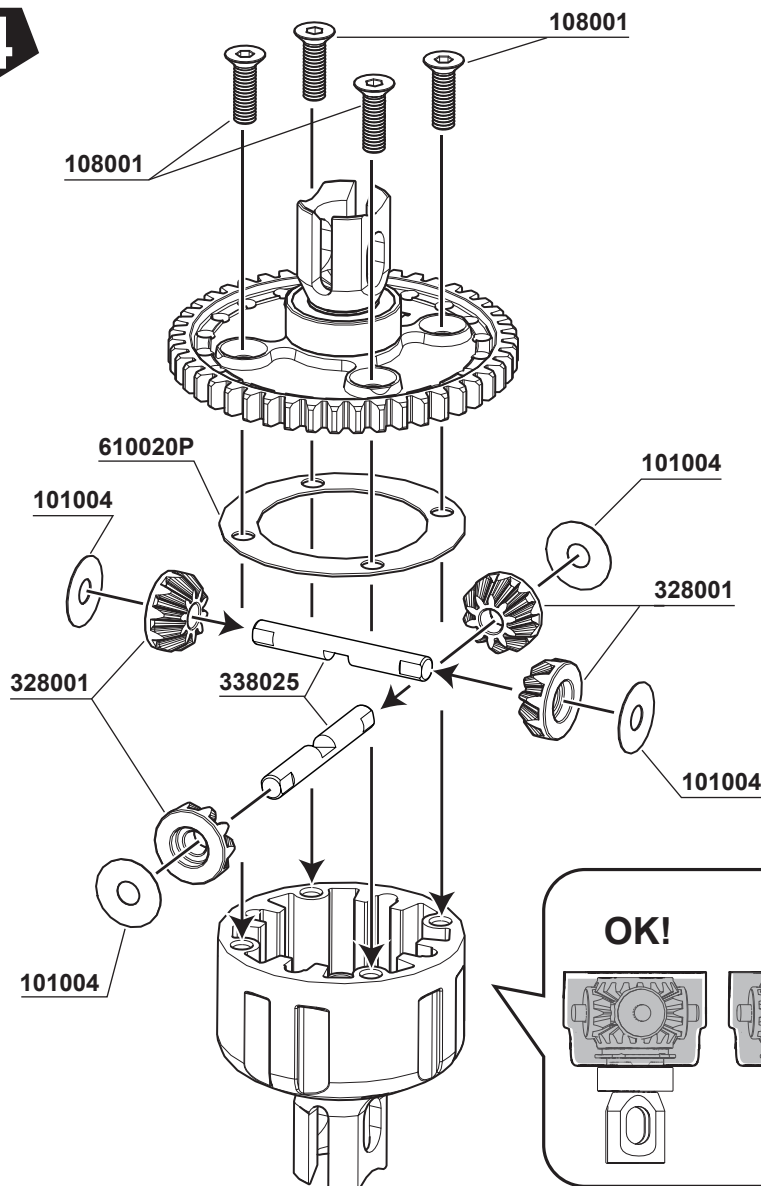
108001
M3x12mm FH/ST HEX Screw x4



338025
S35-3W Bevel Gear Shaft x4



101004
Washer 3.5X10X0.2mm x4



OK!

NG!

Fill the differentials with oil up to 80% above the satellite gears. Put the SWORKz Diff. Oil 1000cps for the center Diff.

Pro Tip:
Before installing the M5x4 set screw (104010), remember to clean the set screw and center driver joint (330661A) first. Then apply TLC on the set screw.



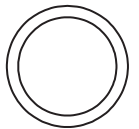
104010
M5x4mm Set Screw (Flat Bottom) x1



108001
M3x12mm FH/ST HEX Screw x4



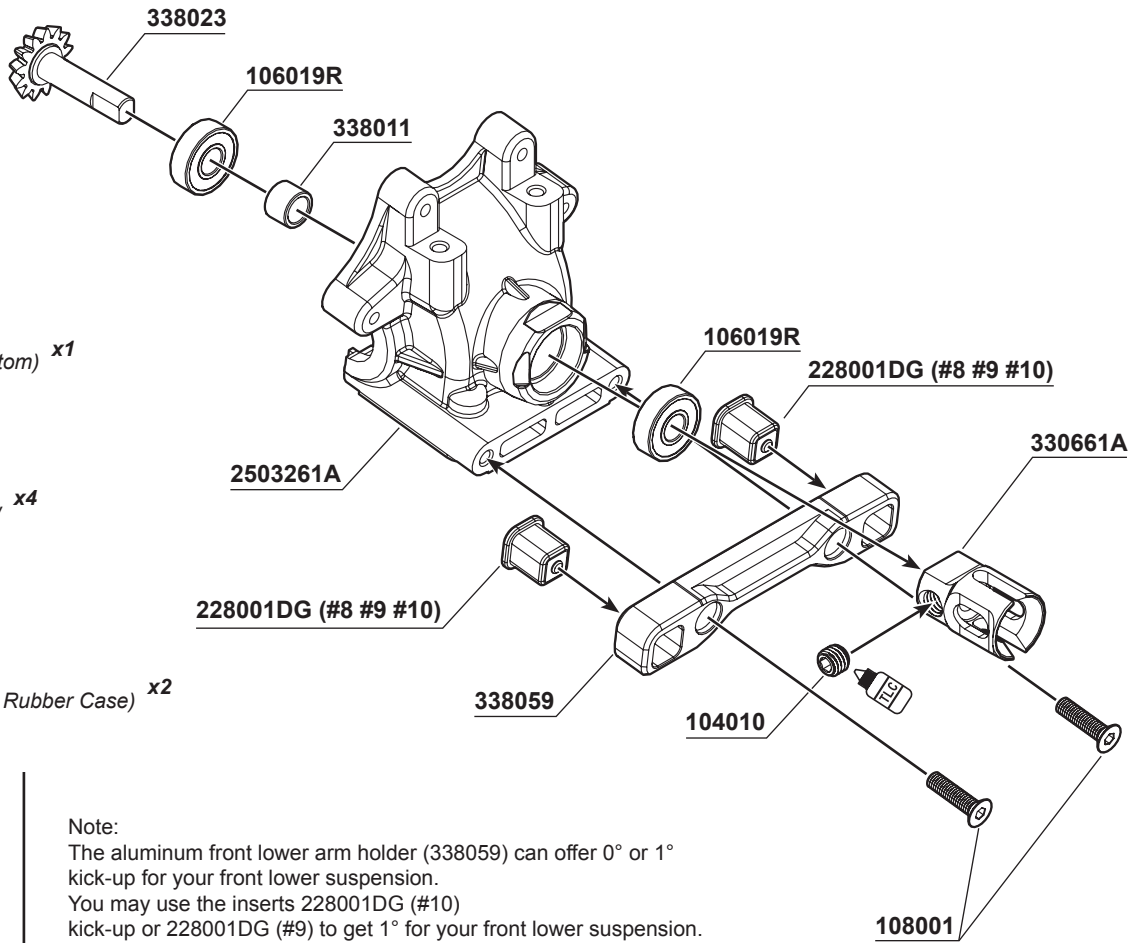
116019R
Ball Bearing 5x13x4mm (Red Rubber Case) x2



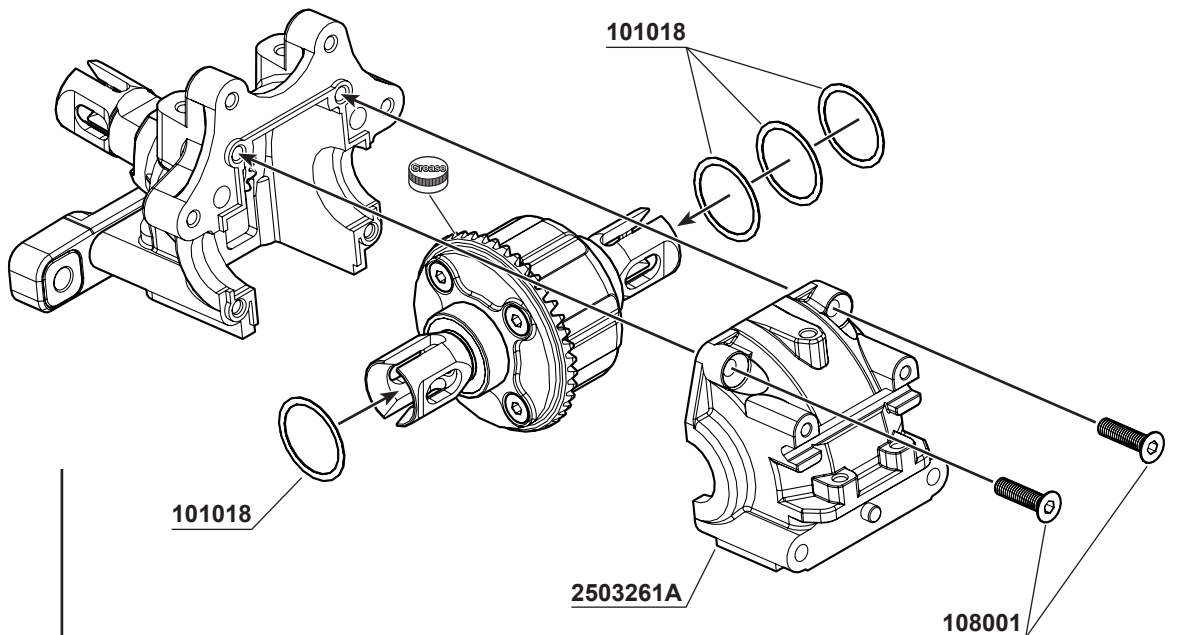
101018
SHIM 13x16x0.2mm x4



338011
S35 series Pinion Gear Stopper (5x7x5.1mm) x1



Note:
The aluminum front lower arm holder (338059) can offer 0° or 1° kick-up for your front lower suspension. You may use the inserts 228001DG (#10) kick-up or 228001DG (#9) to get 1° for your front lower suspension.



Note:
101018SHIM 13x16x0.2mm
Please use 13x16x0.2mm shims to adjust the play between the crown gear and pinion gear. Standard suggestion is 1pc shim on the diff crown gear side and 3 pcs on the other side.

6 Rear

Pro Tip:
Before installing the M5x4 set screw (104010), remember to clean the set screw and center driver joint (330661A) first. Then apply TLC on the set screw.

108001
M3x12mm FH/ST HEX Screw x2

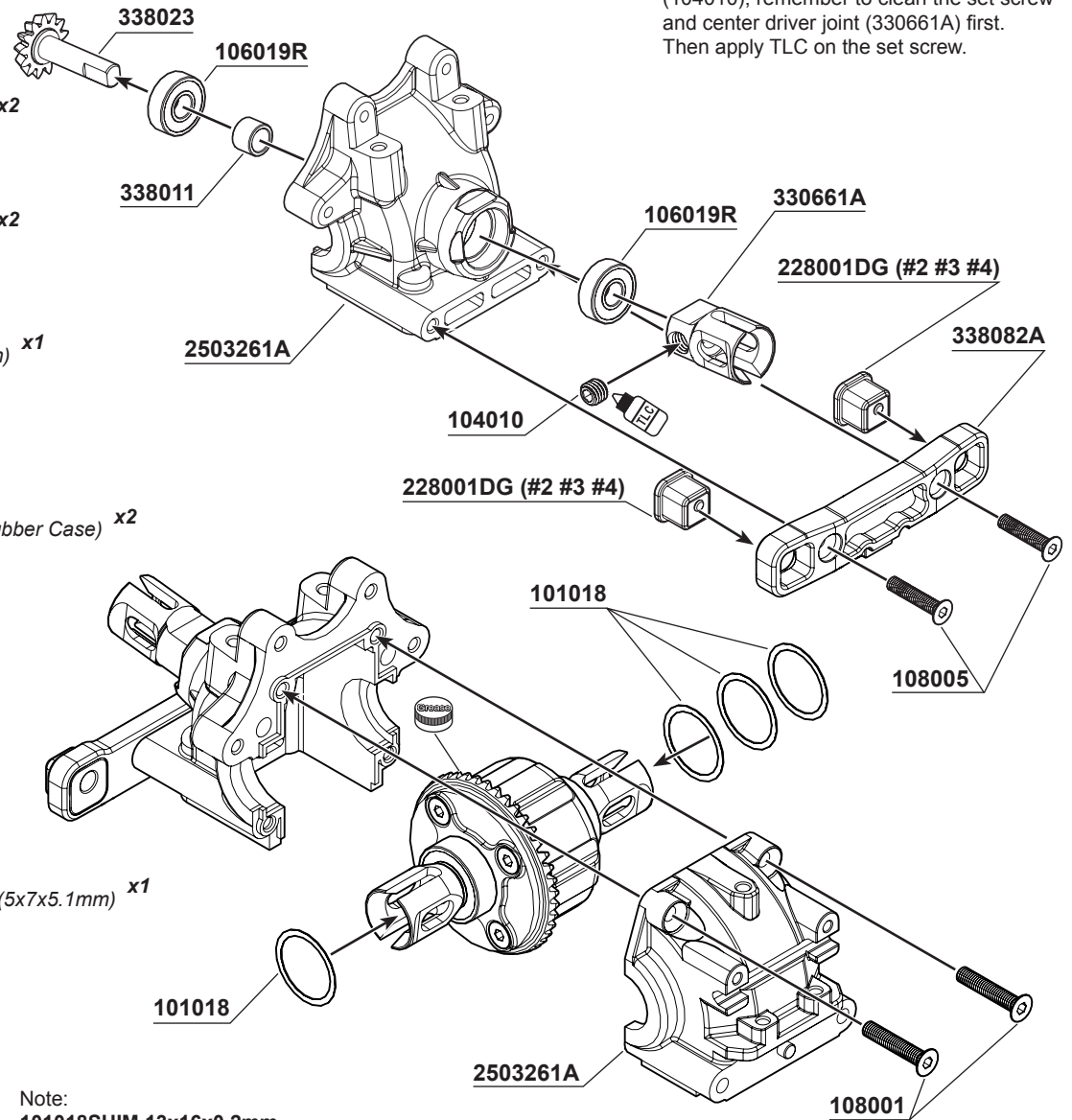
108005
M3x14mm FH/ST HEX Screw x2

104010
M5x4mm Set Screw (Flat Bottom) x1

116019R
Ball Bearing 5x13x4mm (Red Rubber Case) x2

101018
SHIM 13x16x0.2mm x4

338011
S35 series Pinion Gear Stopper (5x7x5.1mm) x1



Note:
101018SHIM 13x16x0.2mm
Please use 13x16x0.2mm shims to adjust the play between the crown gear and pinion gear. Standard suggestion is 1pc shim on the diff crown gear side and 3 pcs on the other side.

BAG E1

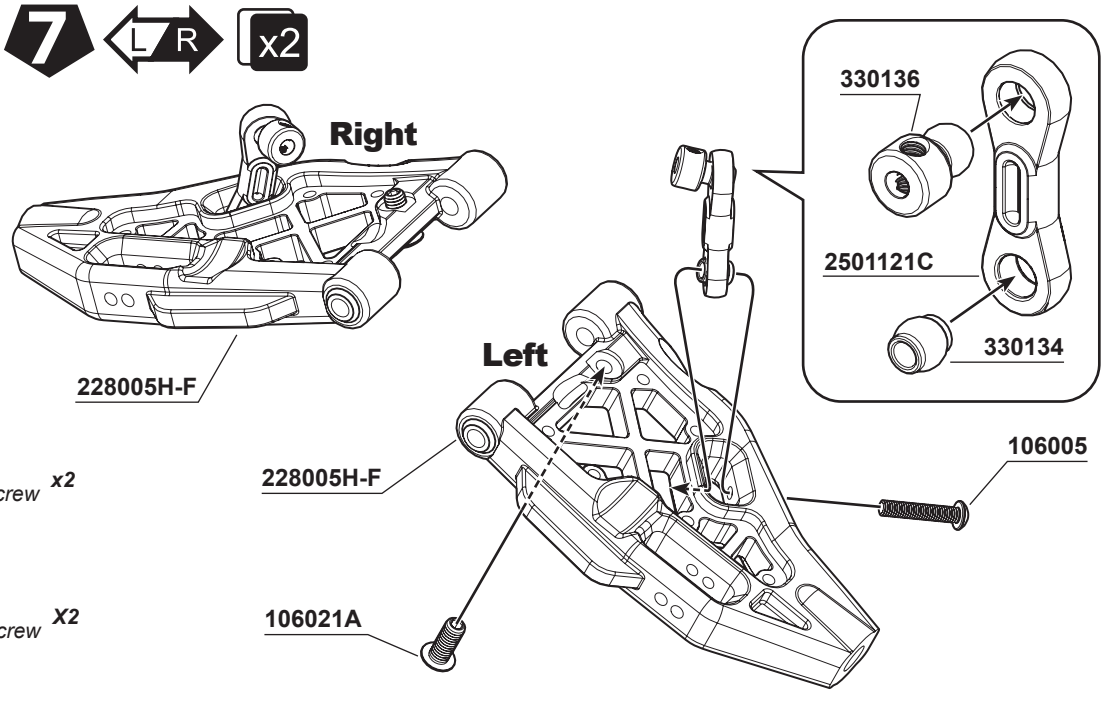
7



x2

106005
M3x15mm Hex Socket OH/TP Screw x2

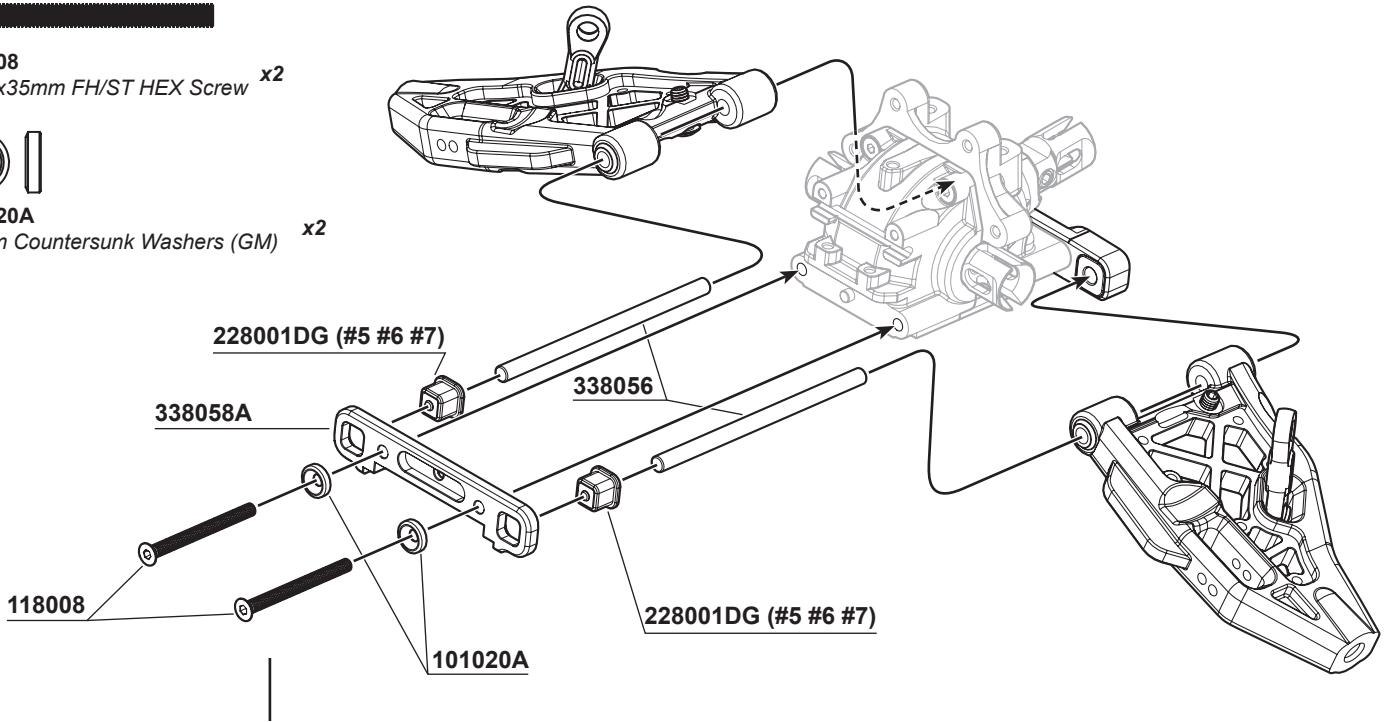
106021A
M4x10mm Hex Socket OH/TP Screw x2



108008
M3x35mm FH/ST HEX Screw x2



101020A
3mm Countersunk Washers (GM) x2



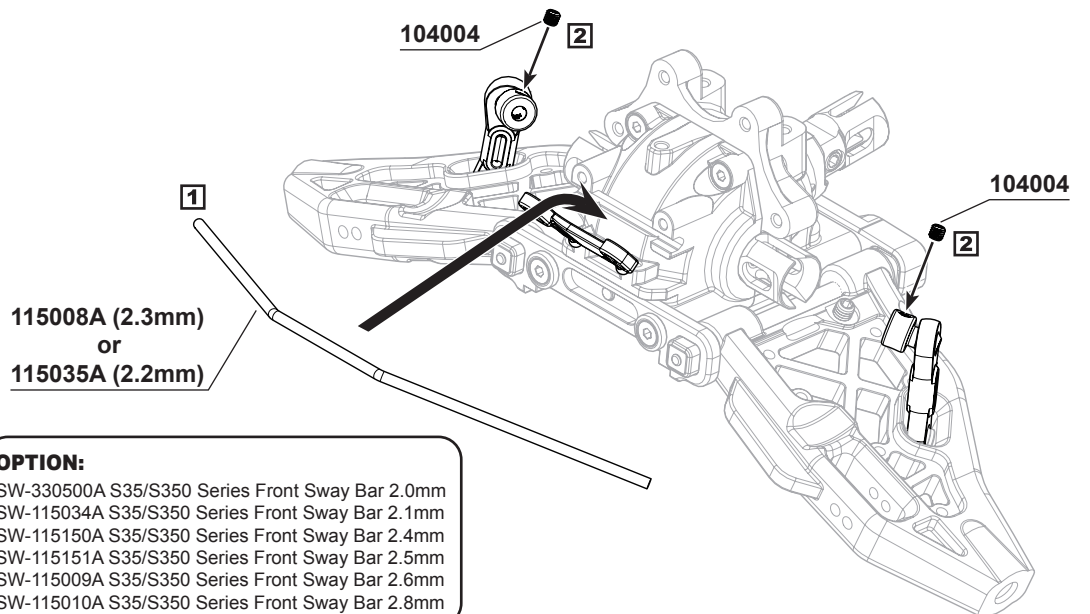
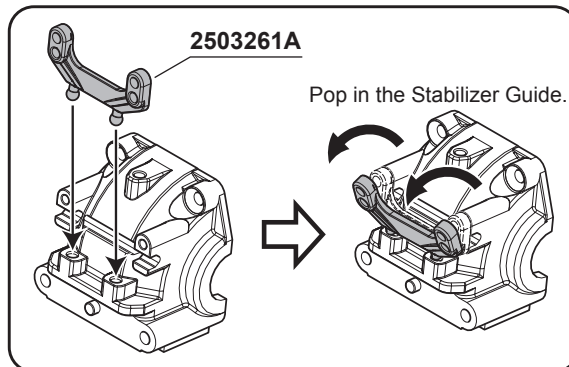
338056
S35-4 Series Lower Arm Hinge Pin (68.5mm) x2

OPTION:
SW-228005S-F S35-4 Series Front Lower Arm in Soft Material (1PC)
SW-228005M-F S35-4 Series Front Lower Arm in Medium Material (1PC)

9



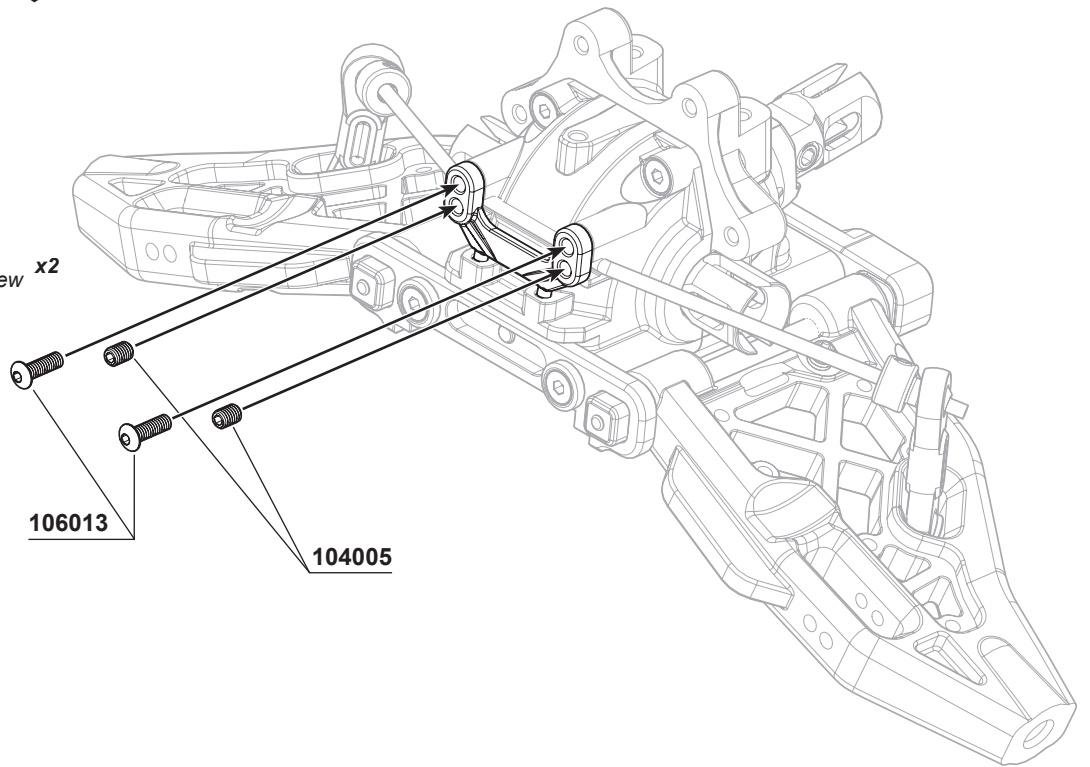
104004
M3x3mm Set Screw x2



OPTION:
SW-330500A S35/S350 Series Front Sway Bar 2.0mm
SW-115034A S35/S350 Series Front Sway Bar 2.1mm
SW-115150A S35/S350 Series Front Sway Bar 2.4mm
SW-115151A S35/S350 Series Front Sway Bar 2.5mm
SW-115009A S35/S350 Series Front Sway Bar 2.6mm
SW-115010A S35/S350 Series Front Sway Bar 2.8mm

 **104005**
M3x4mm Set Screw x2

 **106013**
M2.5x8mmH ex Socket OH/TPScrew x2

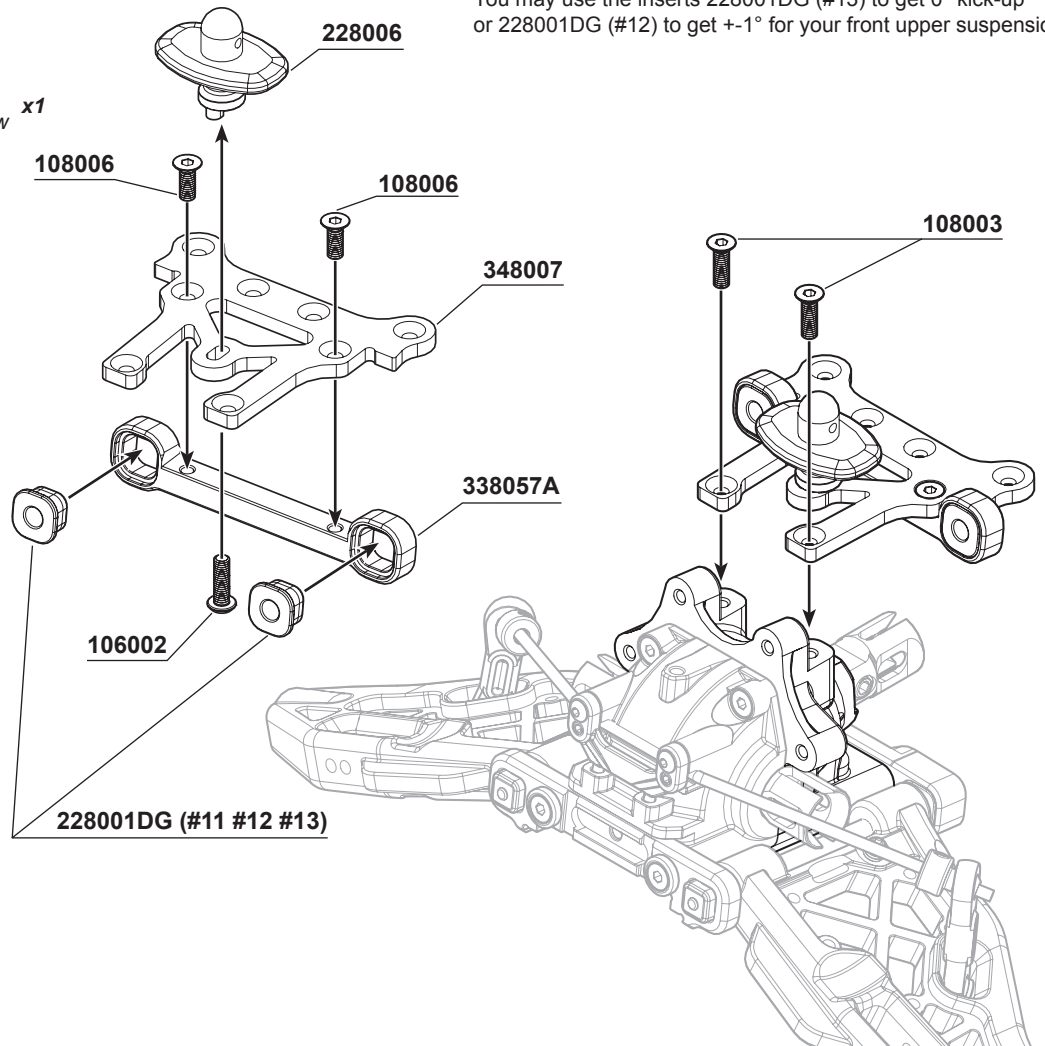


11  **x2**

 **106002**
M3x10mm Hex Socket OH/TP Screw x1

 **108003**
M3x10mm FH/ST HEX Screw x2

 **108006**
M3x8mm FH/ST HEX Screw x2



PRO TIP:

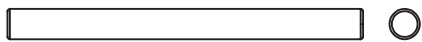
The S35-4 EVO Front Upper Arm Adjust Inserts can give different steering adjustments (Ackerman). Put all inserts behind the front upper arms, you will get faster steering response. Otherwise put all inserts in front of the upper arms, you will get more stable steering response. Try to use 2503260-1 or 2503260-3 to adjust the front upper arm position.



108001
M3x12mm FH/ST HEX Screw x4



106015
M3x5mm Hex Socket OH/TP Screw x2



330119
Front Upper Arm Hinge Pin x2

228001DG (#14 #15 #16)

106015

108001

338112

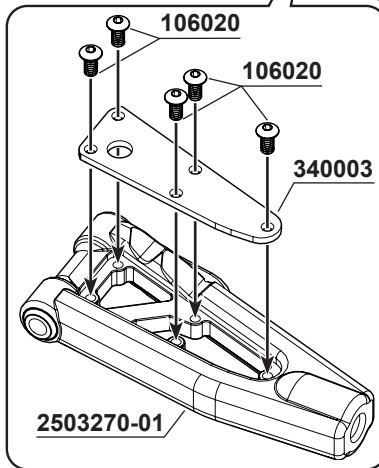
330119

228001DG (#14 #15 #16)

106015

2503260 (#1 #2 #3 #4)

2503260 (#1 #2 #3 #4)



OPTION:
SW-340003A S35-3 Series Pro-composite Carbon Front Upper Arm Cover (1.5mm)(2PC)

OPTION:
SW-2503270-01H S35-3 Series Front Upper Arms With Hard Material (2PC)

Note:
2503260-1
S35-3 Front Upper Arm Adjust Insert (0.9mm)
2503260-2
S35-3 Front Upper Arm Adjust Insert (1.0mm)
2503260-3
S35-3 Front Upper Arm Adjust Insert (1.1mm)
2503260-4
S35-3 Front Upper Arm Adjust Insert (2.0mm)

106020
M2.5x5mm Hex Socket OH/TP Screw x10



103004
M2.5mm Nut Lock x4

106005

M3x15mm Hex Socket OH/TP Screw x2

106021A

M4x10mm Hex Socket OH/TP Screw x2

106022

M2.5x14mm Somet OH/ST Screw (1.5mmHex) x2

106021A

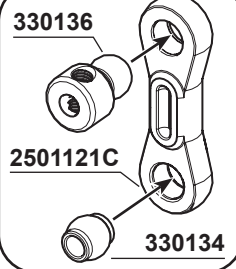
106022

228015H

103004

106022

106005



OPTION:
348003-10
SWORKz S35-4 Series Pro-composite Carbon Arched-Bridge-System Rear Lower Arm Cover(1.0mm)(2PC)
348003-15
SWORKz S35-4 Series Pro-composite Carbon Arched-Bridge-System Rear Lower Arm Cover(1.5mm)(2PC)
348003-20
SWORKz S35-4 Series Pro-composite Carbon Arched-Bridge-System Rear Lower Arm Cover(2.0mm)(2PC)

OPTION:
228015S SWORKz
S35-4 Series Arched-Bridge-System Rear Lower Arm Set (Soft)(1PC)
228015M SWORKz
S35-4 Series Arched-Bridge-System Rear Lower Arm Set (Medium)(1PC)
228015U SWORKz
S35-4 Series Arched-Bridge-System Rear Lower Arm Set (Ultra-Hard)(1PC)



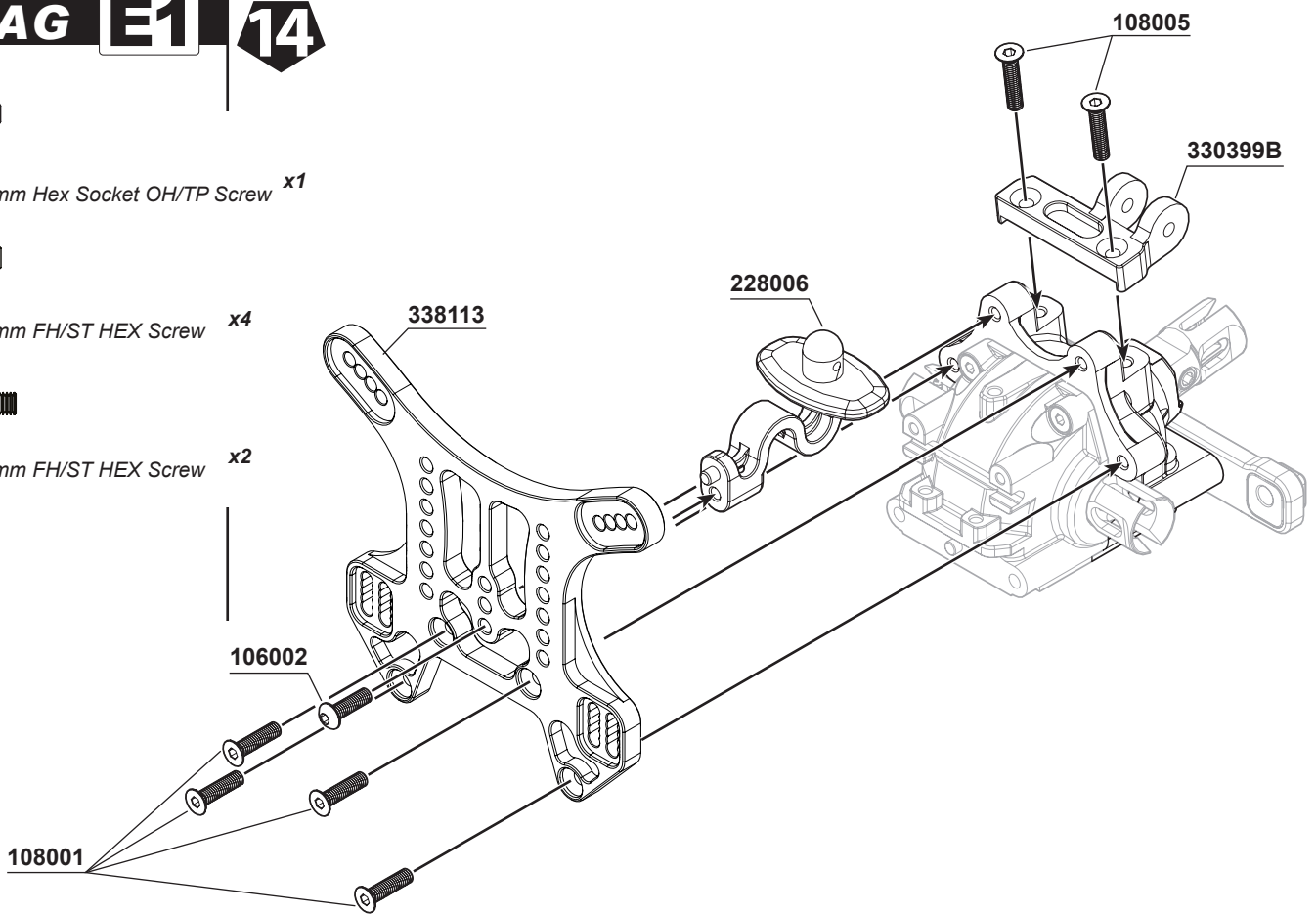
106002
M3x10mm Hex Socket OH/TP Screw x1



108001
M3x12mm FH/ST HEX Screw x4



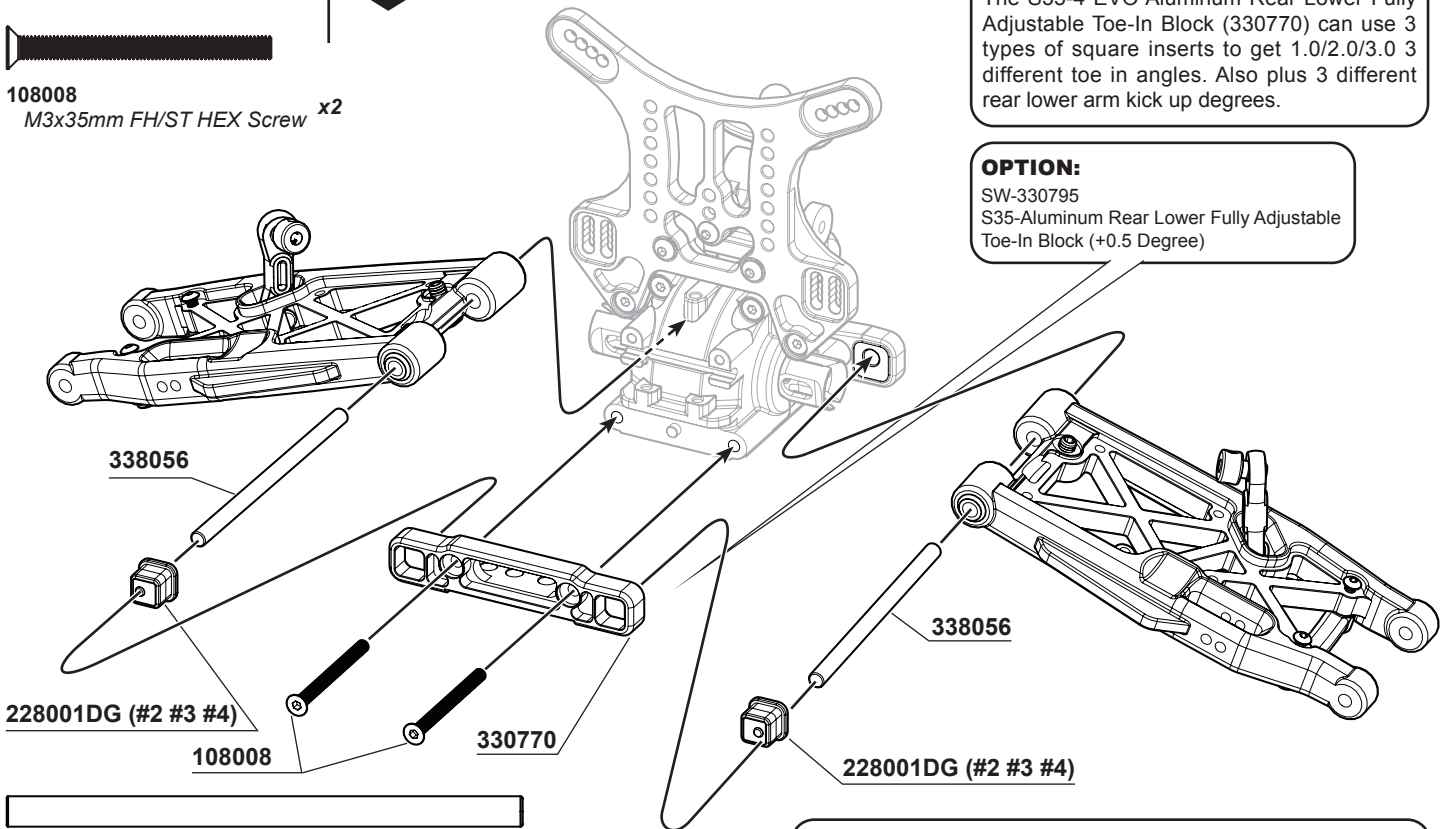
108005
M3x14mm FH/ST HEX Screw x2



15



108008
M3x35mm FH/ST HEX Screw x2



PRO TIP:
The S35-4 EVO Aluminum Rear Lower Fully Adjustable Toe-In Block (330770) can use 3 types of square inserts to get 1.0/2.0/3.0 3 different toe in angles. Also plus 3 different rear lower arm kick up degrees.

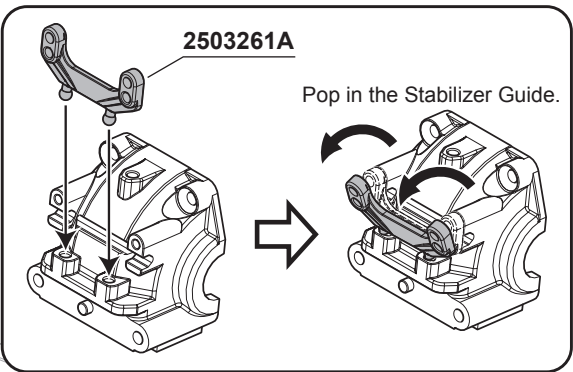
OPTION:
SW-330795
S35-Aluminum Rear Lower Fully Adjustable Toe-In Block (+0.5 Degree)

338056
S35-4 Series Lower Arm Hinge Pin (68.5mm) x2

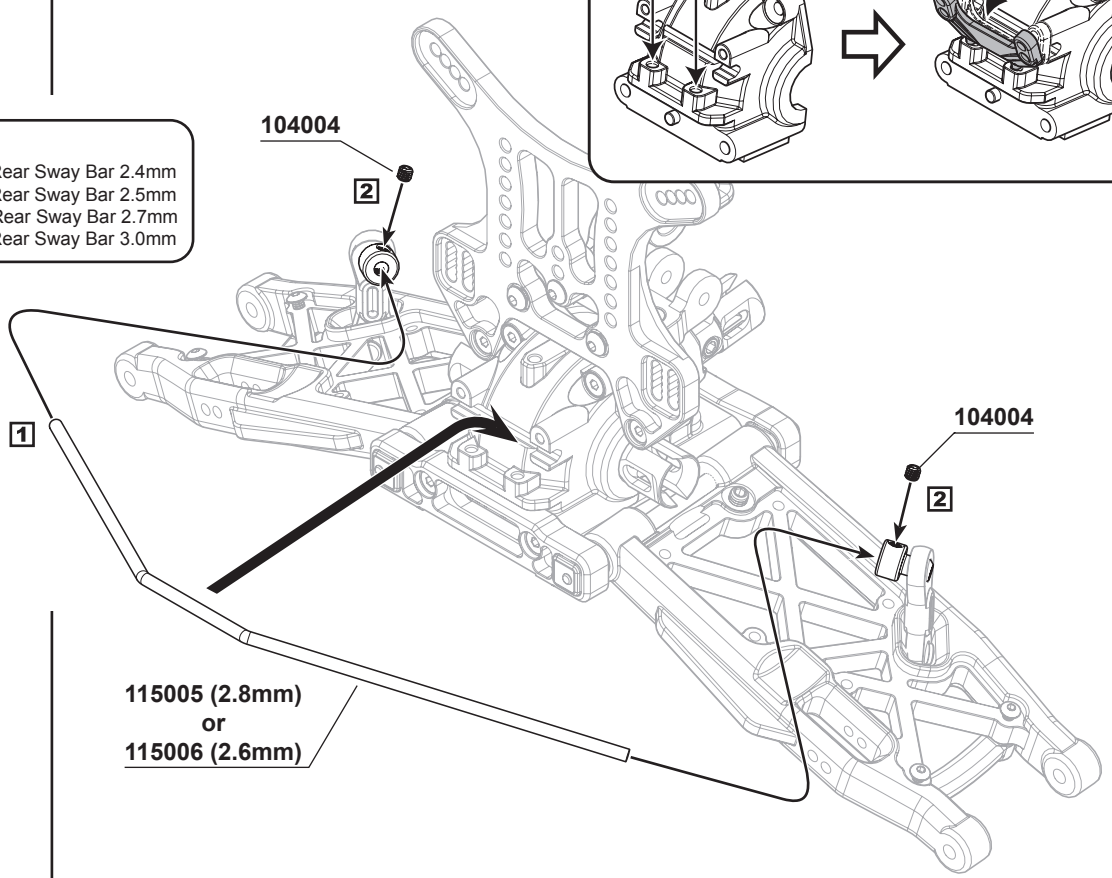
PRO TIP:
228001DG-2 S35-4 Series Rear Lower Arm Holder Square Insert (+1/+1)
228001DG-3 S35-4 Series Rear Lower Arm Holder Square Insert (0/+1)
228001DG-4 S35-4 Series Rear Lower Arm Holder Square Insert (0)



104004
M3x3mm Set Screw x2



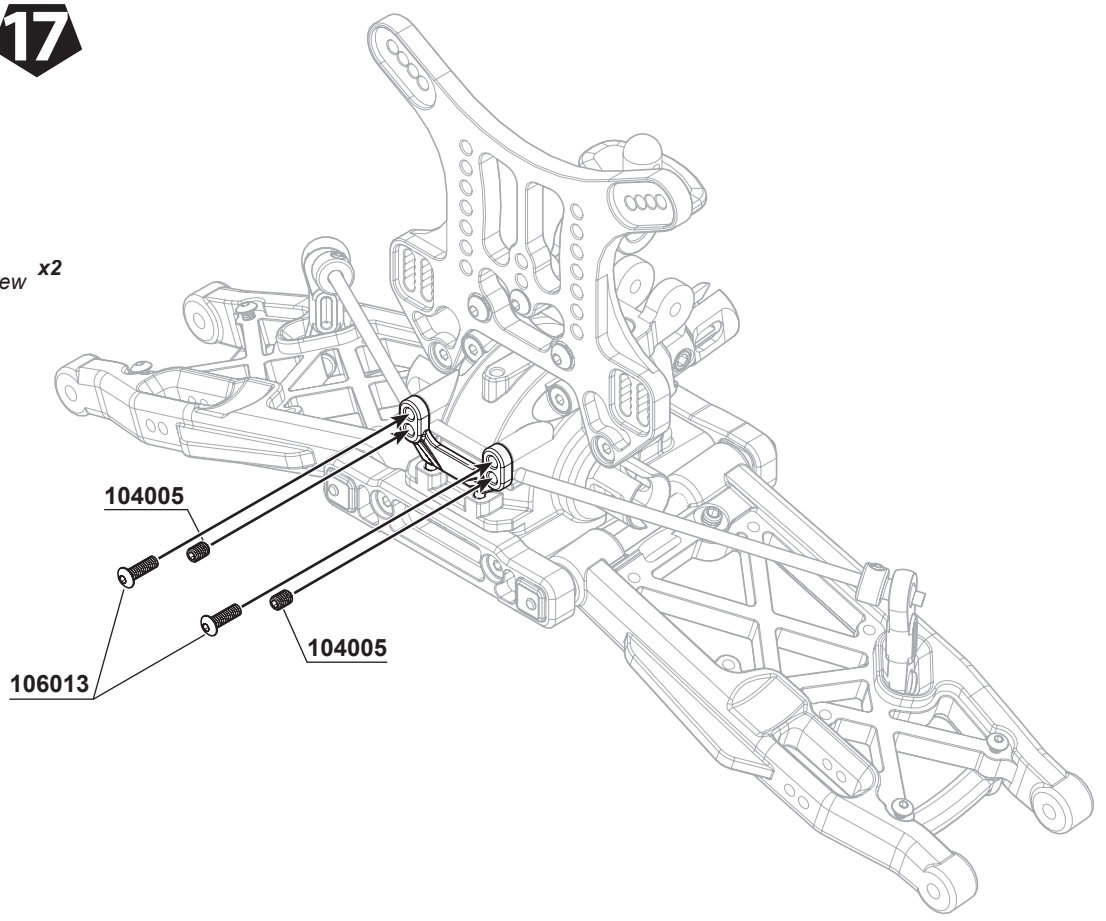
OPTION:
SW-115046 S35/S350 Series Rear Sway Bar 2.4mm
SW-115047 S35/S350 Series Rear Sway Bar 2.5mm
SW-330499 S35/S350 Series Rear Sway Bar 2.7mm
SW-115007 S35/S350 Series Rear Sway Bar 3.0mm



104005
M3x4mm Set Screw x2



106013
M2.5x8mmH ex Socket OH/TPScrew x2



BAG E2

18

PRO TIP:

For some track corner conditions, you may need a big steering angle, there is an option part SW-338124P will give you the solution.



103001
M3 Nut Lock x2



101012
M3x6xT0.6mm x2



117003
Flange Ball Bearing 3x6x2.5mm x4



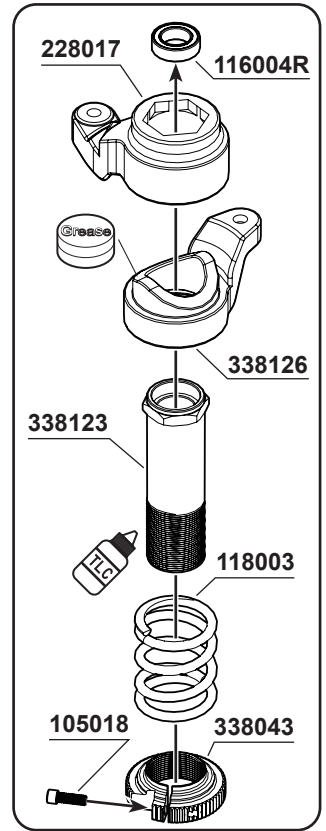
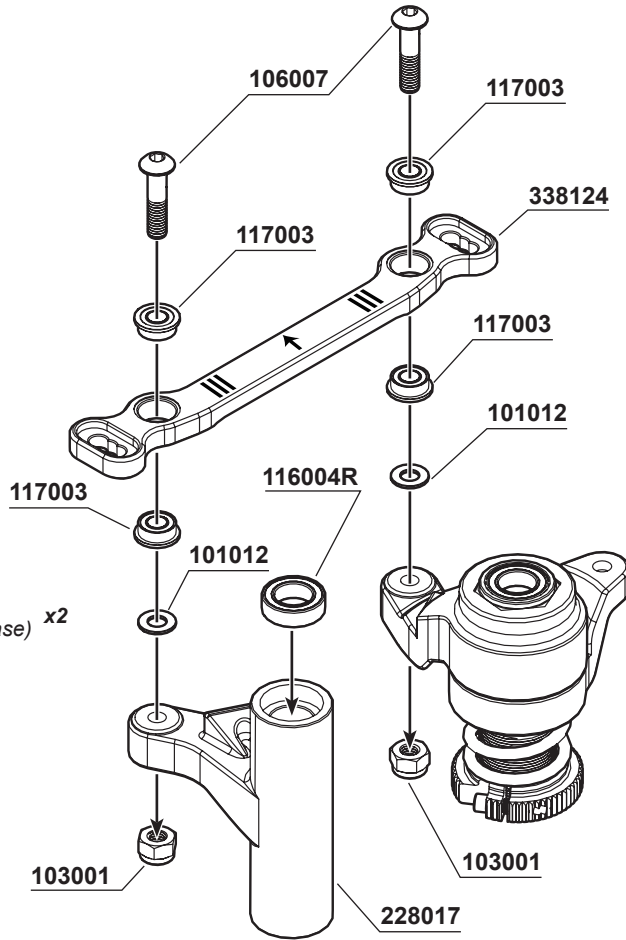
106007
M3x12mm Hex Socket
OH/TP Screw(HT) x2



116004R
Ball Bearing 6x10x3mm (Red Rubber Case) x2



105018
M2x6mm Cap Screw x1



OPTION:

SW-338124P S35-4/e EVO Series
T7 Aluminum Pro Steering Plate

BAG E2

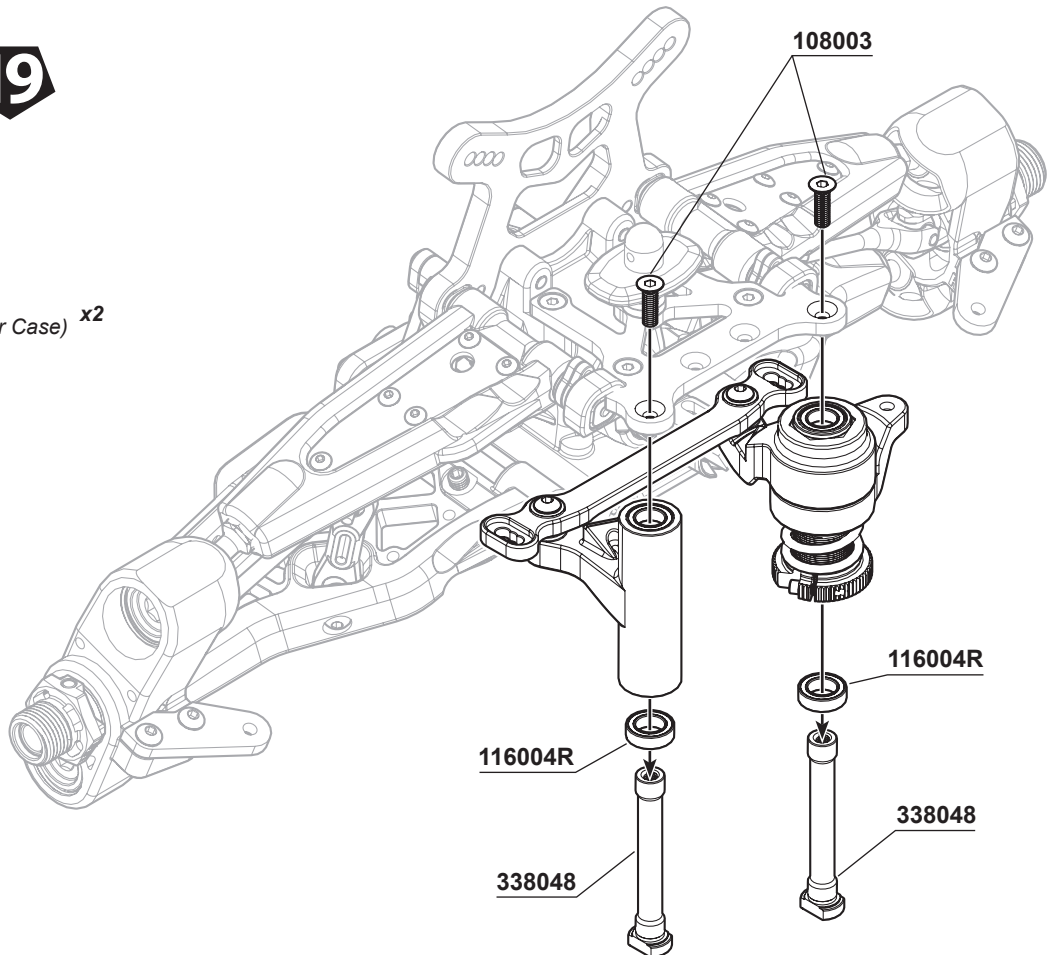
19



108003
M3x10mm FH/ST HEX Screw x2

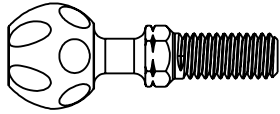


116004R
Ball Bearing 6x10x3mm (Red Rubber Case) x2

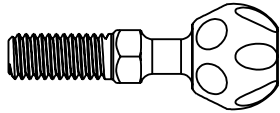




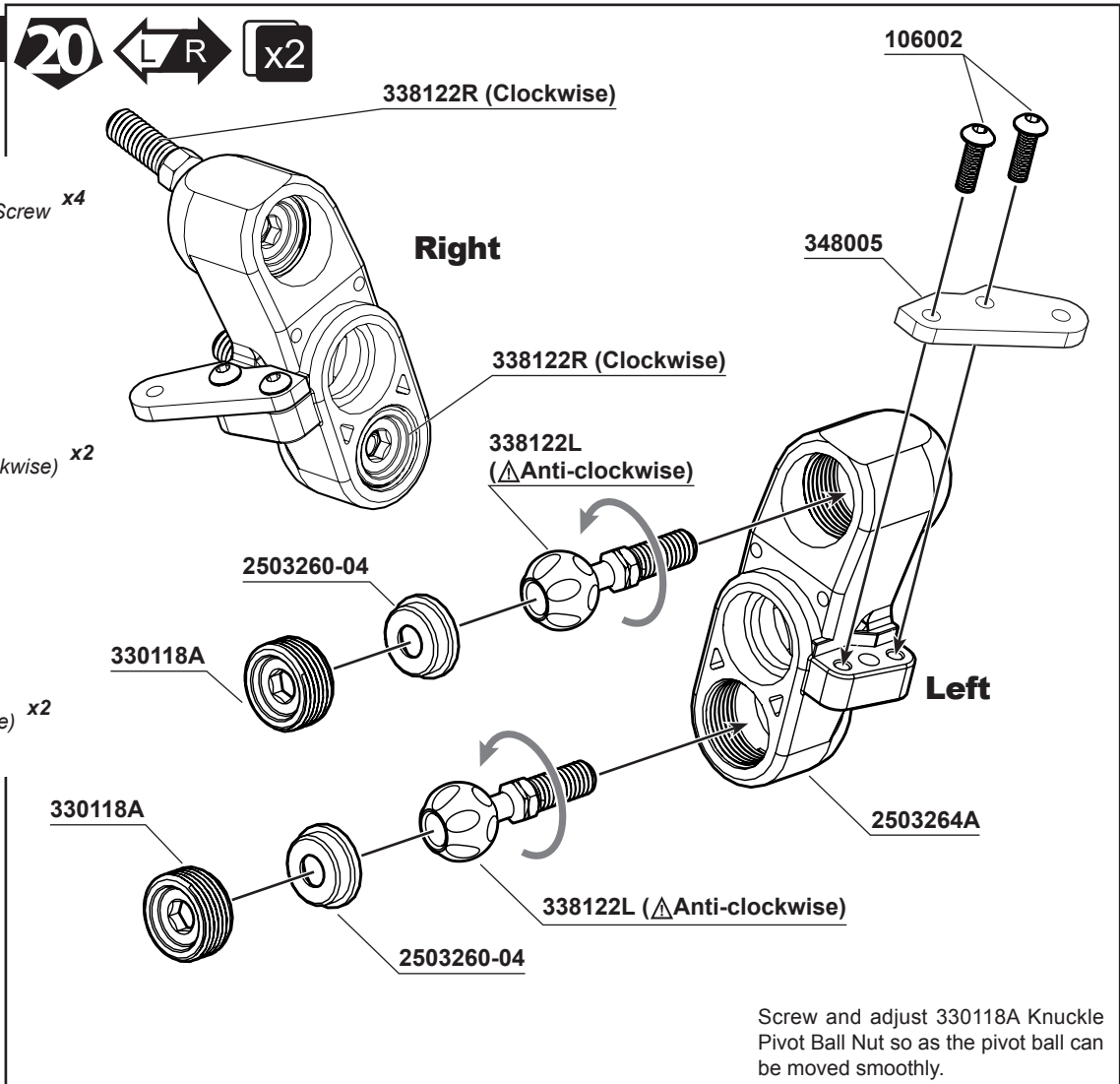
106002
M3x10mm Hex Socket OH/TP Screw x4



338122L
S35/S350/Apollo Series
Lightened Steering Knuckle
Pivot Ball Turnbuckle (Anti-clockwise) x2



338122R
S35/S350/Apollo Series
Lightened Steering Knuckle
Pivot Ball Turnbuckle (Clockwise) x2



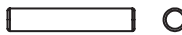
Screw and adjust 330118A Knuckle Pivot Ball Nut so as the pivot ball can be moved smoothly.



116006R
Ball Bearing 8x16x5mm (Red Rubber Case) x4



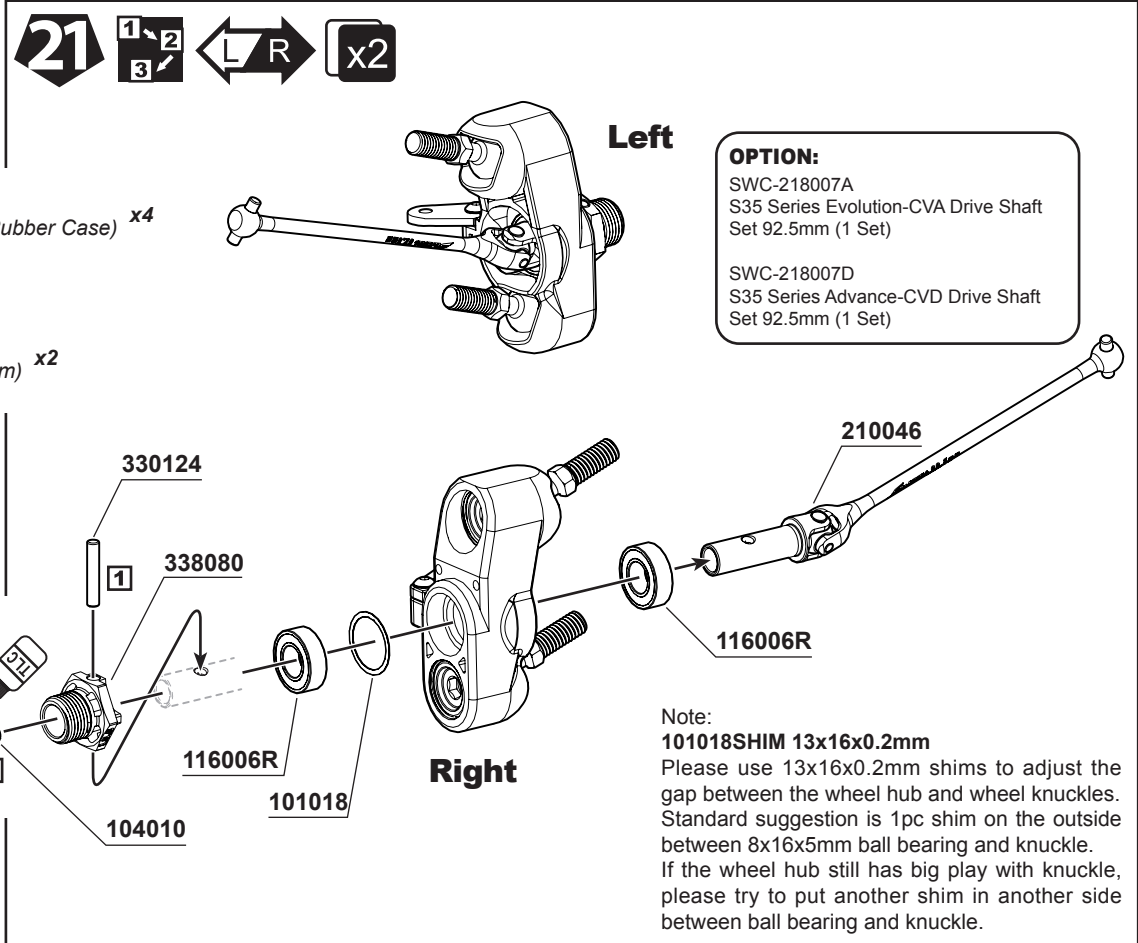
104010
M5x4mm Set Screw (Flat Bottom) x2



330124
Pin M3.0x16.8mm x2



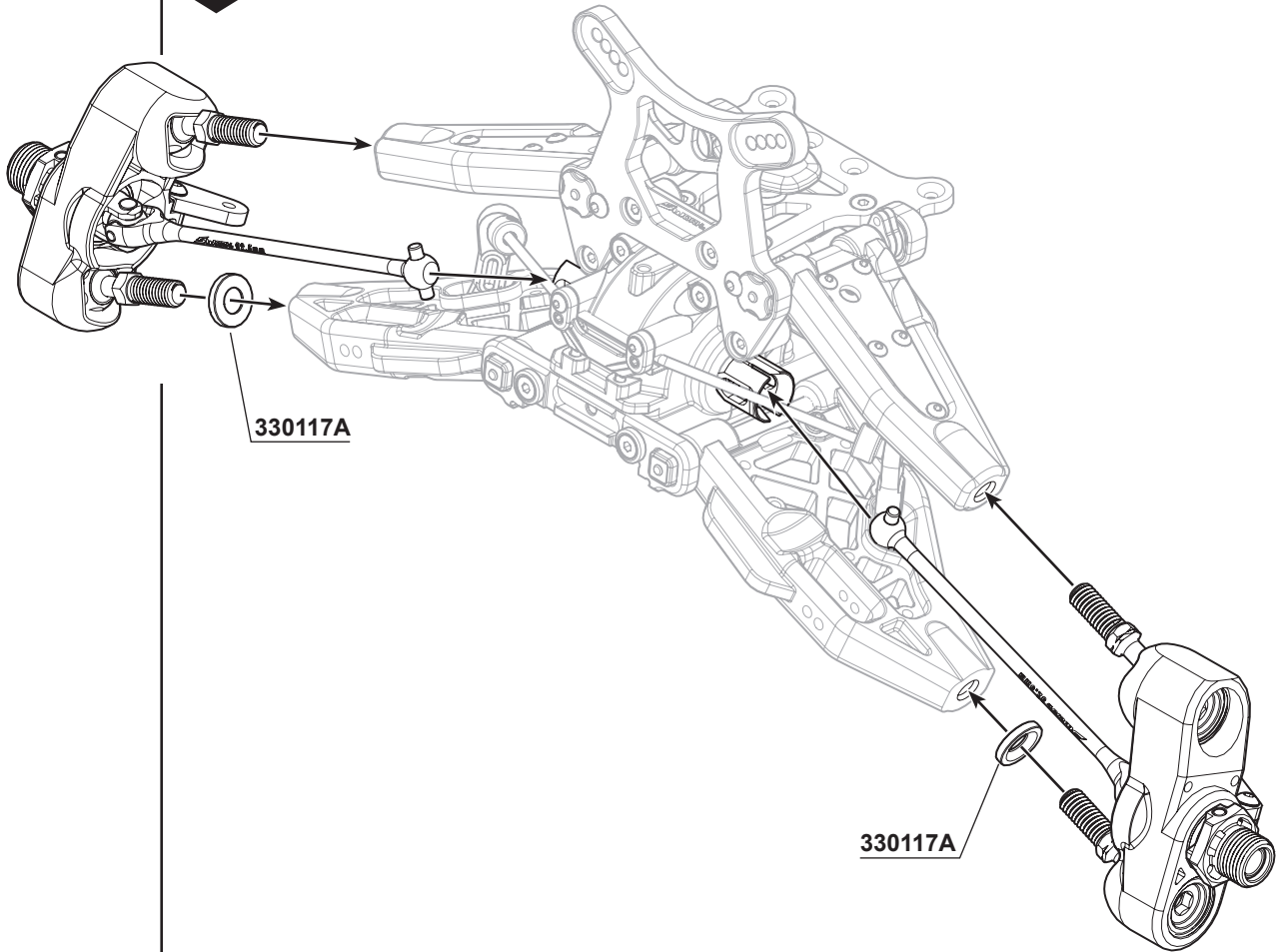
101018
SHIM 13x16x0.2mm x2



OPTION:
SWC-218007A
S35 Series Evolution-CVA Drive Shaft
Set 92.5mm (1 Set)

SWC-218007D
S35 Series Advance-CVD Drive Shaft
Set 92.5mm (1 Set)

Note:
101018SHIM 13x16x0.2mm
Please use 13x16x0.2mm shims to adjust the gap between the wheel hub and wheel knuckles. Standard suggestion is 1pc shim on the outside between 8x16x5mm ball bearing and knuckle. If the wheel hub still has big play with knuckle, please try to put another shim in another side between ball bearing and knuckle.



104010
M5x4mm Set Screw (Flat Bottom) x2



330124
Pin M3.0x16.8mm x2



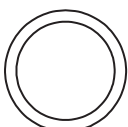
116006R
Ball Bearing 8x16x5mm (Red Rubber Case) x4



106009
M3x25mm Hex Socket OH/TP Screw x4



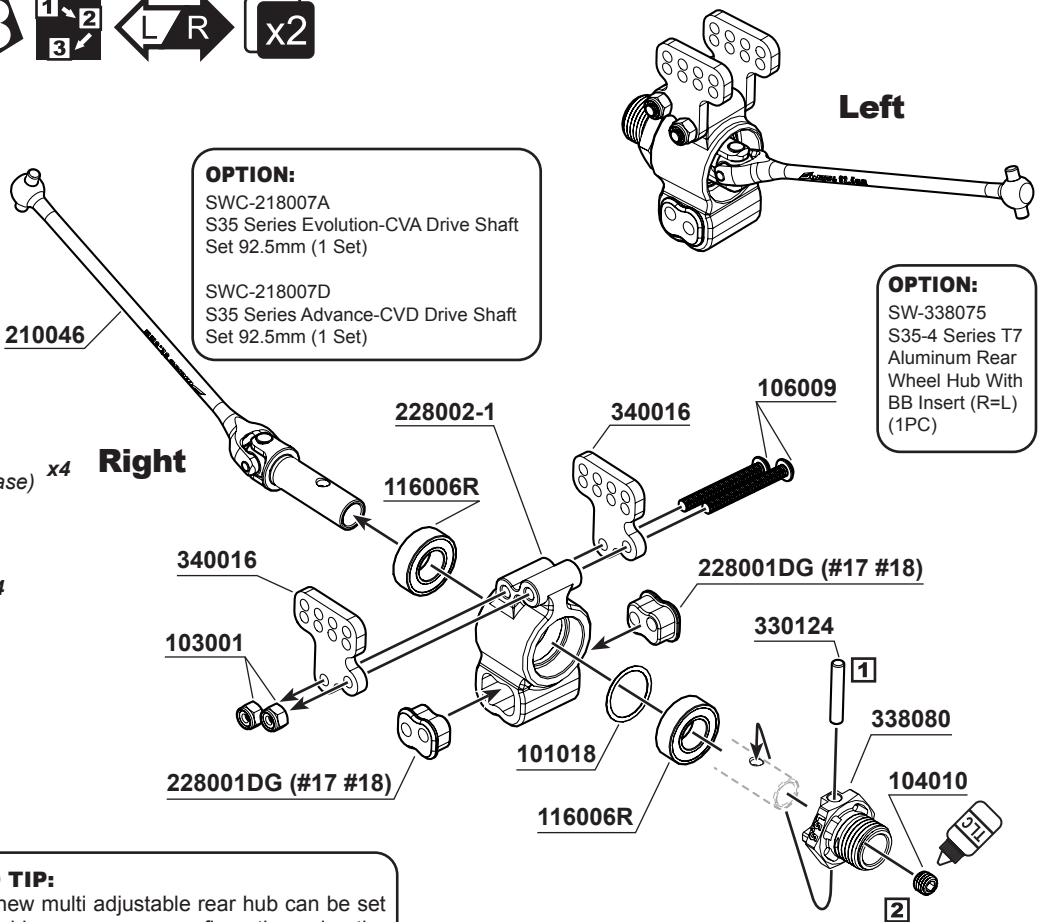
103001
M3 Nut Lock x4



101018
SHIM 13x16x0.2mm x2

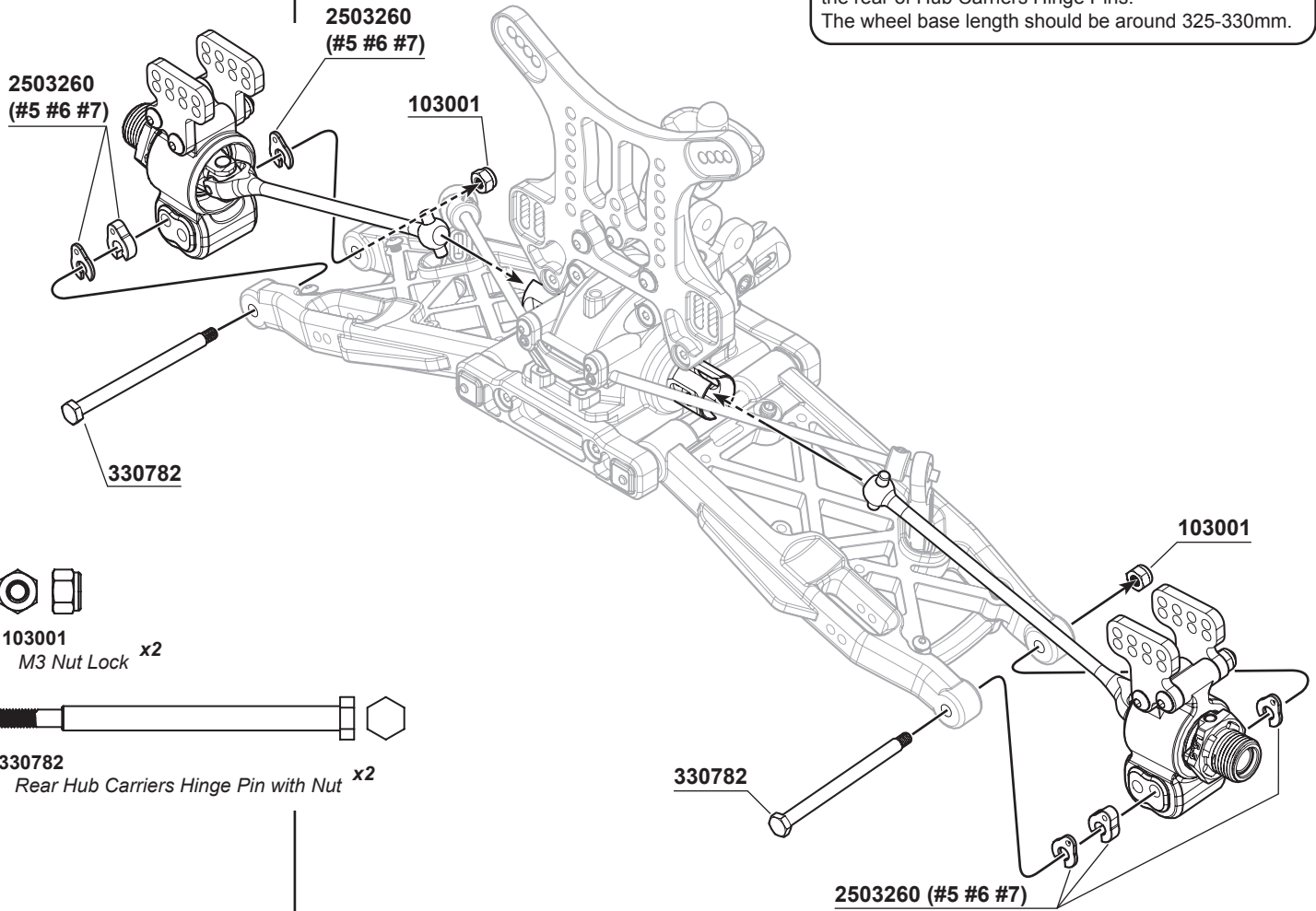
OPTION:
 SWC-218007A
 S35 Series Evolution-CVA Drive Shaft
 Set 92.5mm (1 Set)
 SWC-218007D
 S35 Series Advance-CVD Drive Shaft
 Set 92.5mm (1 Set)

OPTION:
 SW-338075
 S35-4 Series T7
 Aluminum Rear
 Wheel Hub With
 BB Insert (R=L)
 (1PC)

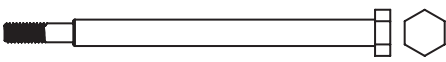


PRO TIP:
 The new multi adjustable rear hub can be set to a wider or a narrow configuration using the inserts 228001DG (#17 #18)

PRO TIP:
The base set up is always by using 2-3mm inserts on the rear of Hub Carriers Hinge Pins.
The wheel base length should be around 325-330mm.



103001
M3 Nut Lock x2



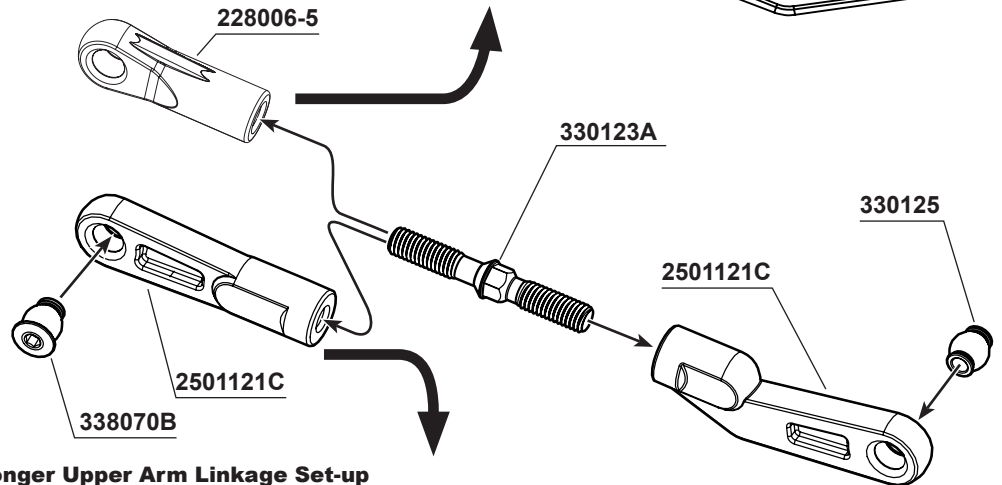
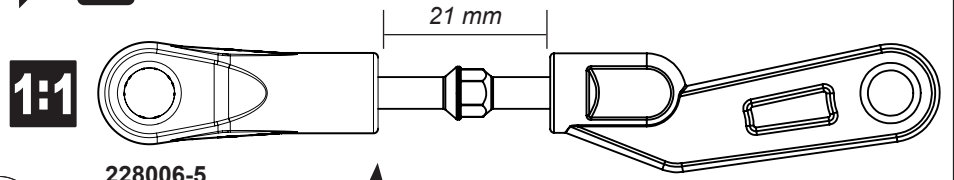
330782
Rear Hub Carriers Hinge Pin with Nut x2

25 **L R** **x2**

Shorty Upper Arm Linkage Set-up

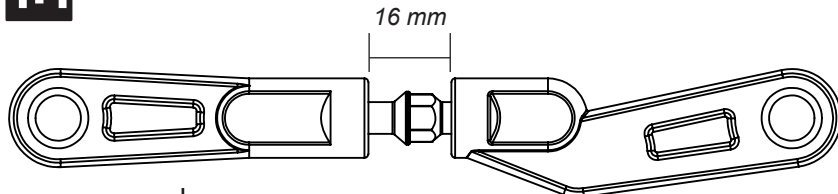


330123A
Rear Upper Sus. Arm Turnbuckles x2



1:1

Longer Upper Arm Linkage Set-up



PRO TIP:
The Shorty Upper Arm Linkage Set-up is good using for low grip condition.
The Longer Upper Arm Linkage Set-up is good using for high grip condition.

Longer Upper Arm Linkage Set-up



105012
M3x10mm Cap Screw x2



106009
M3x25mm Hex Socket OH/TP Screw x2



103001
M3 Nut Lock x2

106009

105012

228001DG

103001

228001DG

105012

106009

103001

Shorty Upper Arm Linkage Set-up

OPTION:

SWC-338017
S35 Series T-6061AL Rear Hub Carry Insert (6mm)(2pc)



103001
M3 Nut Lock x6



106003
M3x16mm Hex Socket OH/TP Screw x4



108019
M2.6x6mm Flat Head Screw - Hex Socket x2

103001

228003A

228003A(#3)

108019

228003A(#3)

228003A

103001

103001

228003A

106003

OPTION:

228003A(#3) S35 Series Integrated Wing Mount Spacer (0 Degree)
228003A(#4) S35 Series Integrated Wing Mount Spacer (1 Degree)
228003A(#5) S35 Series Integrated Wing Mount Spacer (2 Degree)



106007
M3x12mm Hex Socket OH/TP Screw(HT) x4



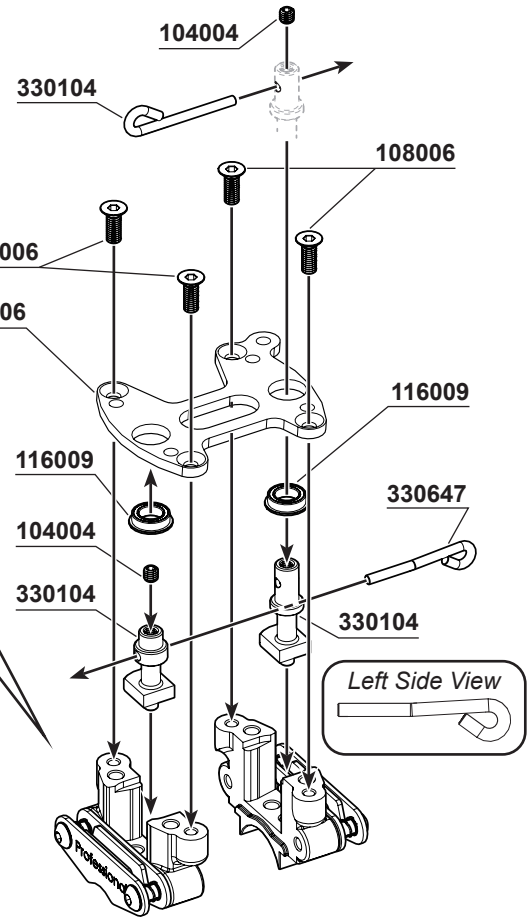
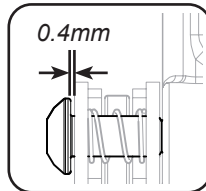
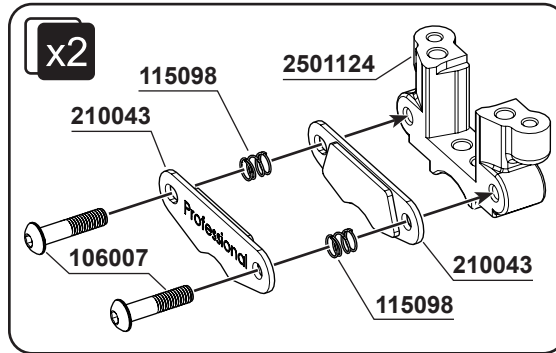
104004
M3x3mm Set Screw x2



108006
M3x8mm FH/ST HEX Screw x4



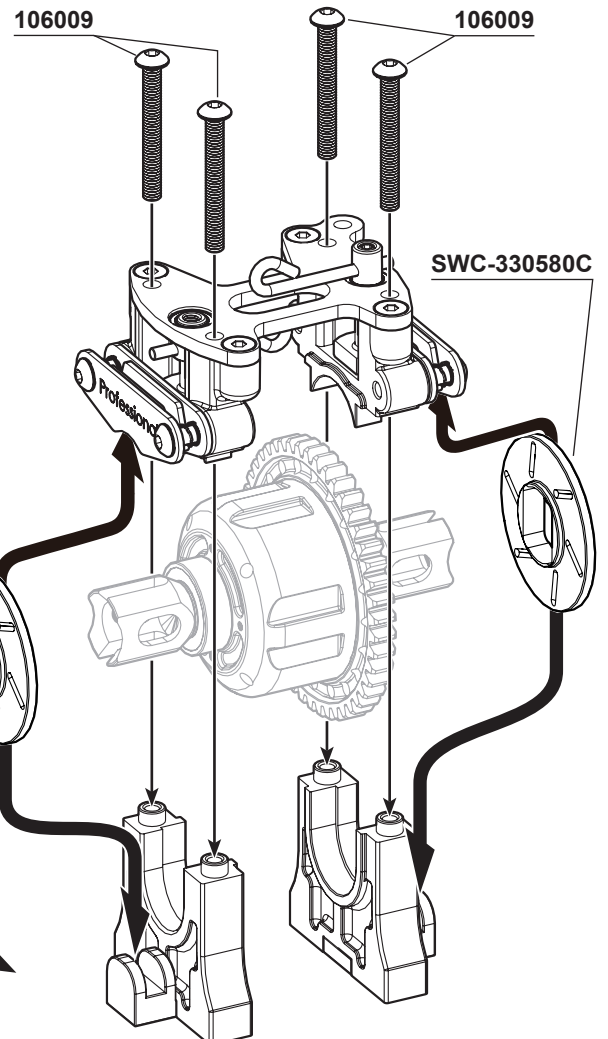
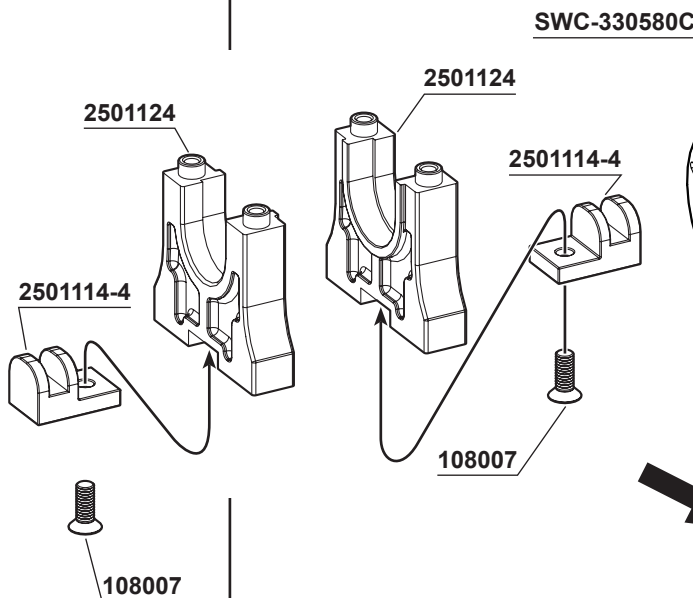
116009
Ball Bearing M5x8x2.5mm x2



106009
M3x25mm Hex Socket OH/TP Screw x4

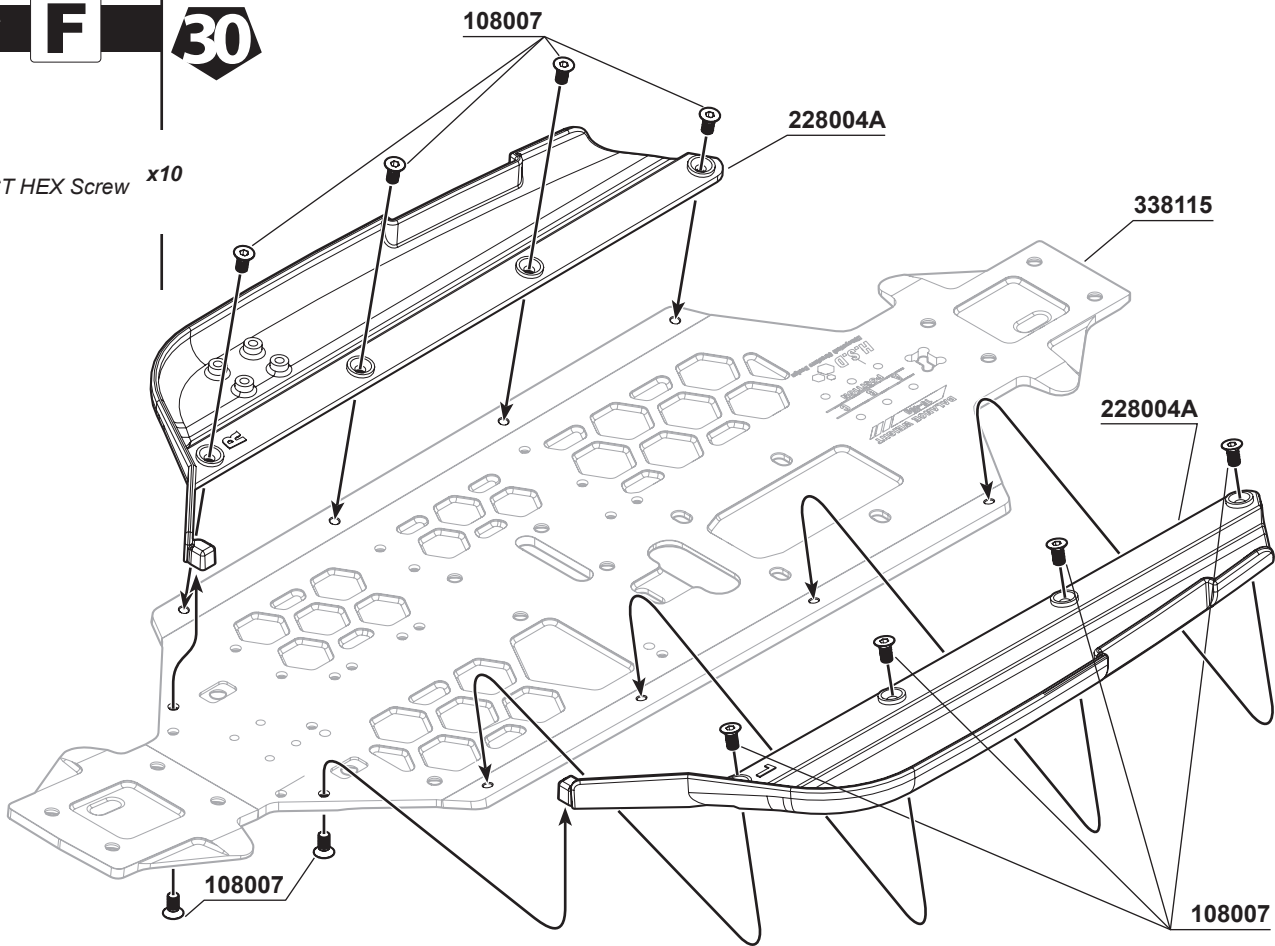


108007
M3x6mm FH/ST HEX Screw x2





108007
M3x6mm FH/ST HEX Screw x10



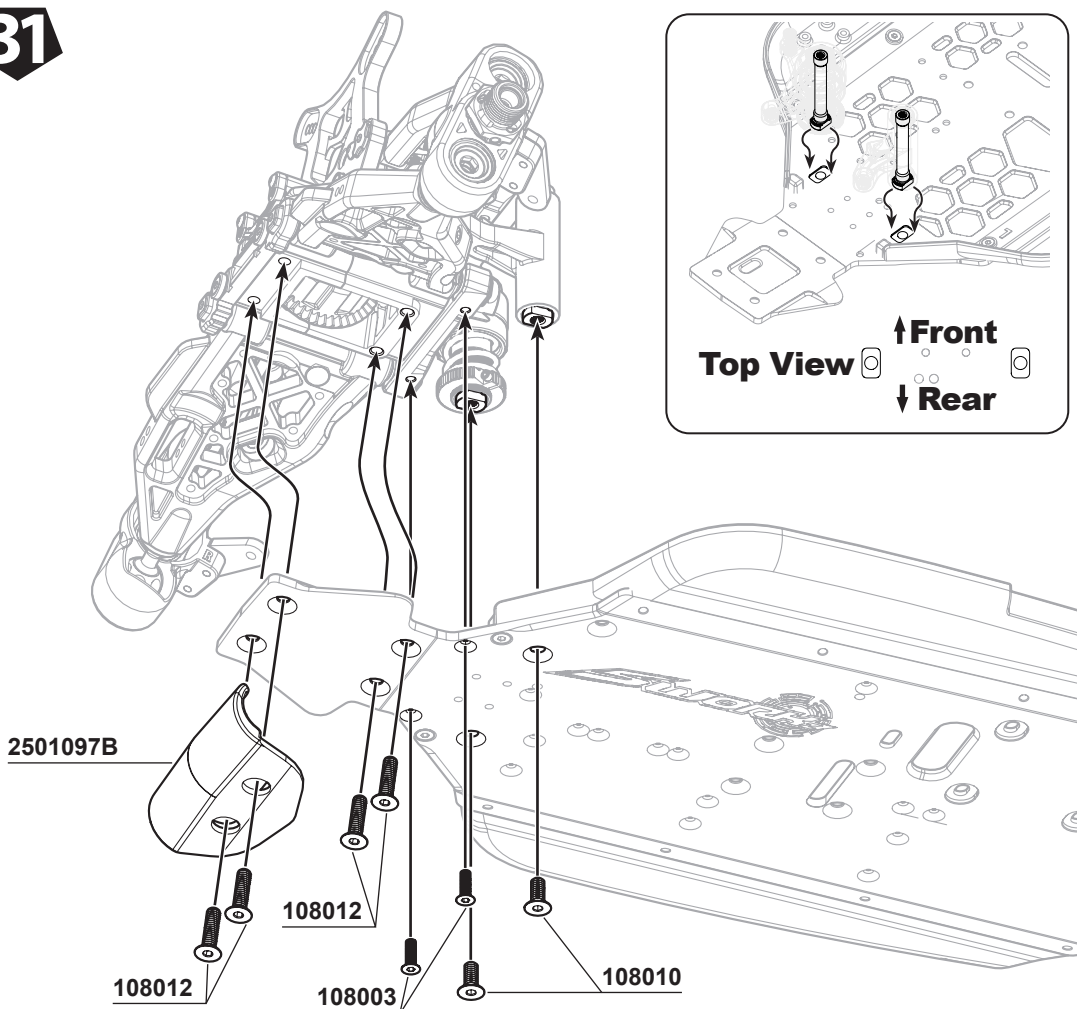
108003
M3x10mm FH/ST HEX Screw x2



108010
M4x10mm FH/ST HEX Screw x2



108012
M4x16mm FH/ST HEX Screw x4

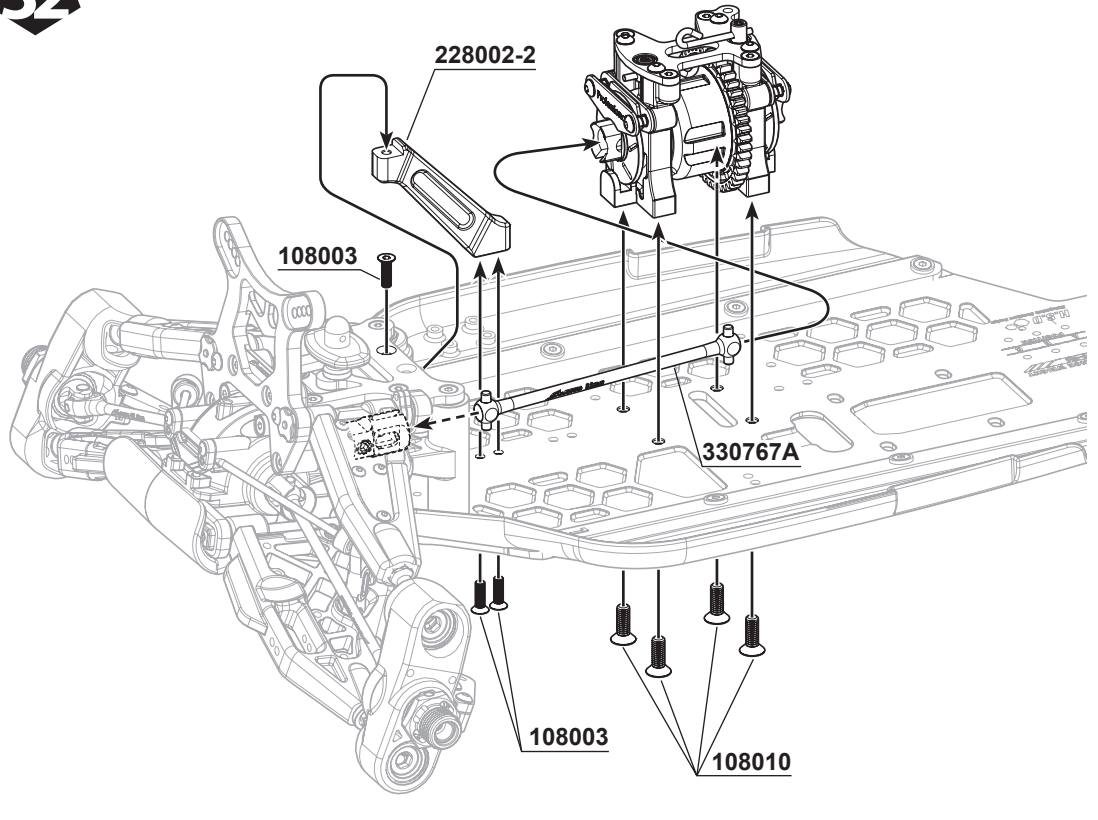




108003
M3x10mm FH/ST HEX Screw x3



108010
M4x10mm FH/ST HEX Screw x4



108012
M4x16mm FH/ST HEX Screw x4



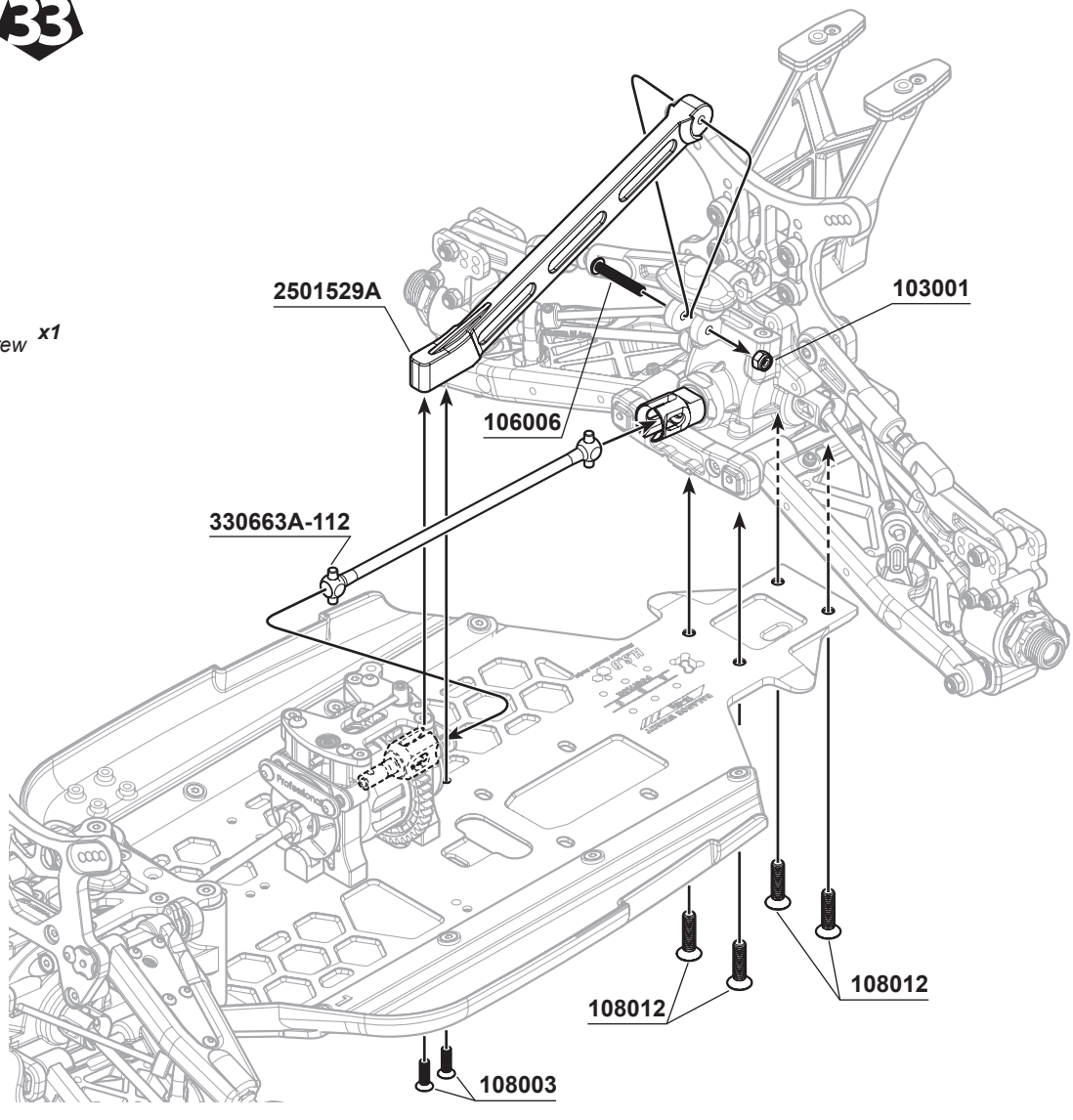
106006
M3x20mm Hex Socket OH/TP Screw x1



103001
M3 Nut Lock x1



108003
M3x10mm FH/ST HEX Screw x2

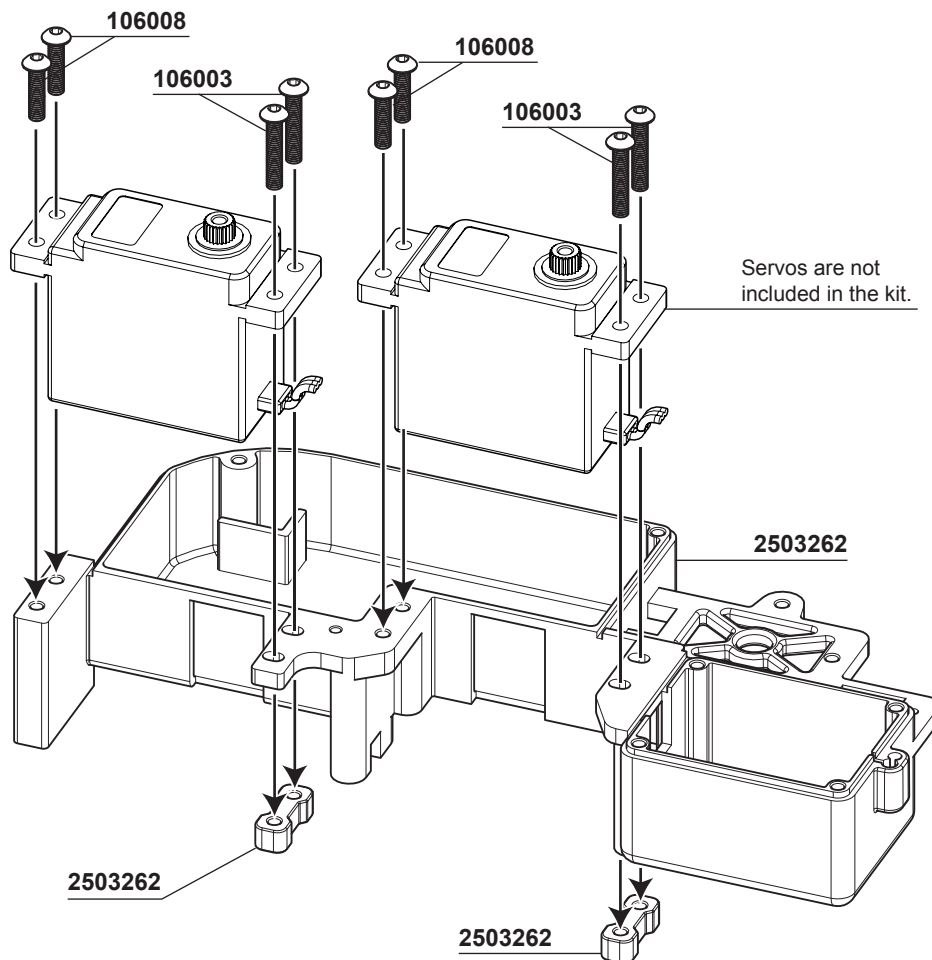




106008
M3x12mm Hex Socket OH/TP Screw x4



106003
M3x16mm Hex Socket OH/TP Screw x4



103001
M3 Nut Lock x2

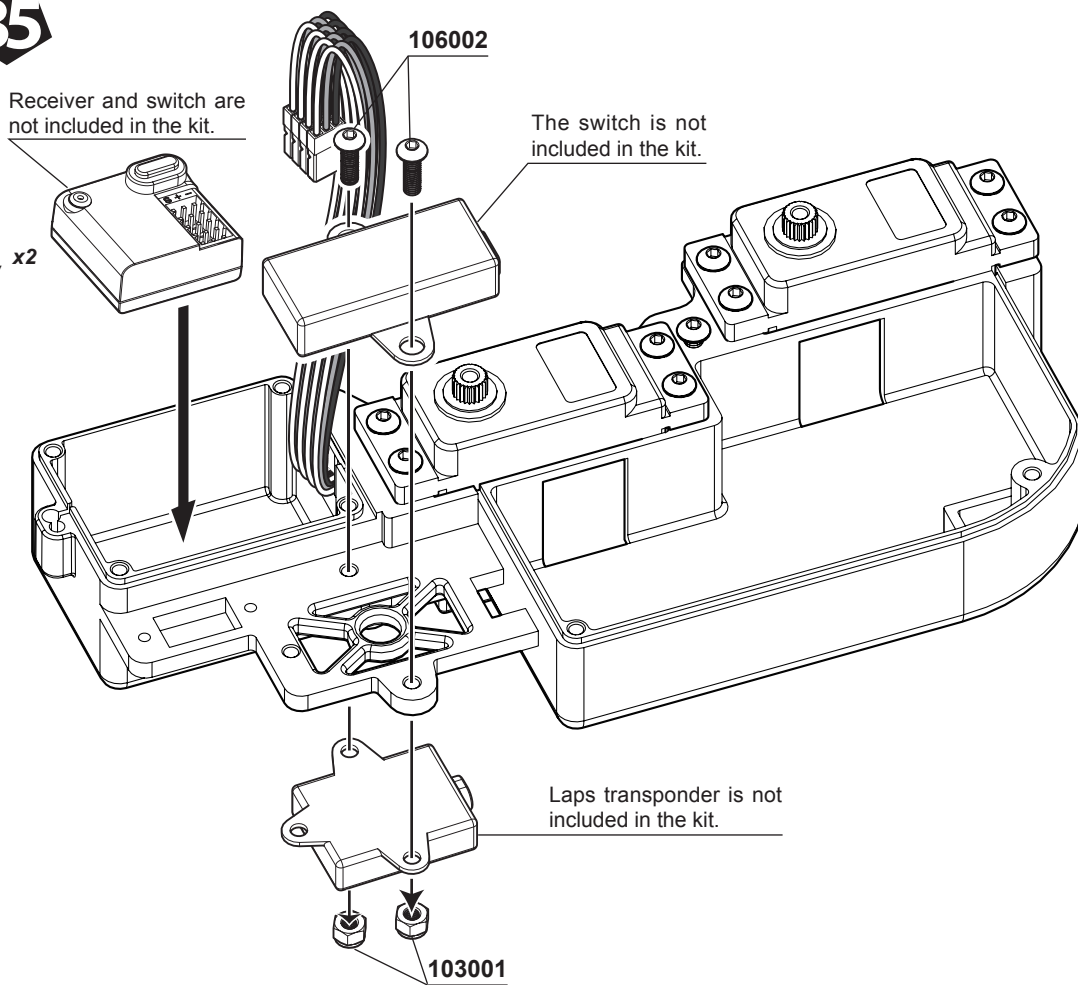


106002
M3x10mm Hex Socket OH/TP Screw x2

Receiver and switch are not included in the kit.

The switch is not included in the kit.

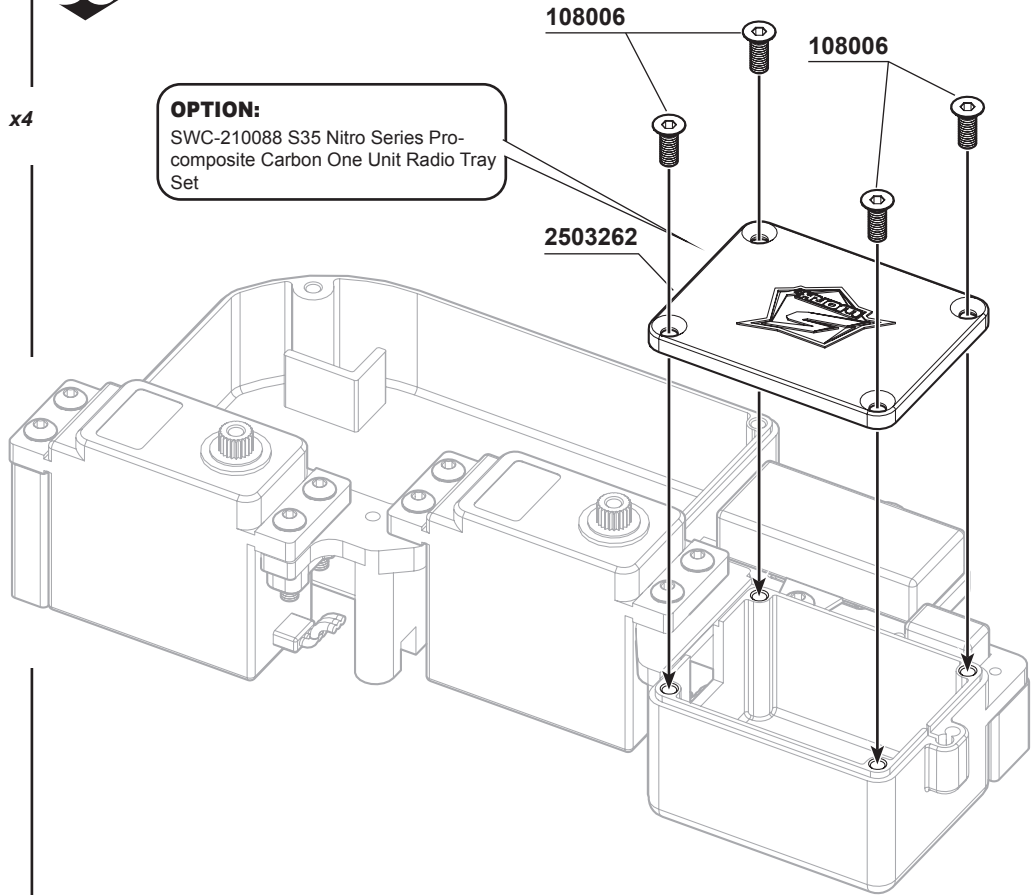
Laps transponder is not included in the kit.





108006
M3x8mm FH/ST HEX Screw x4

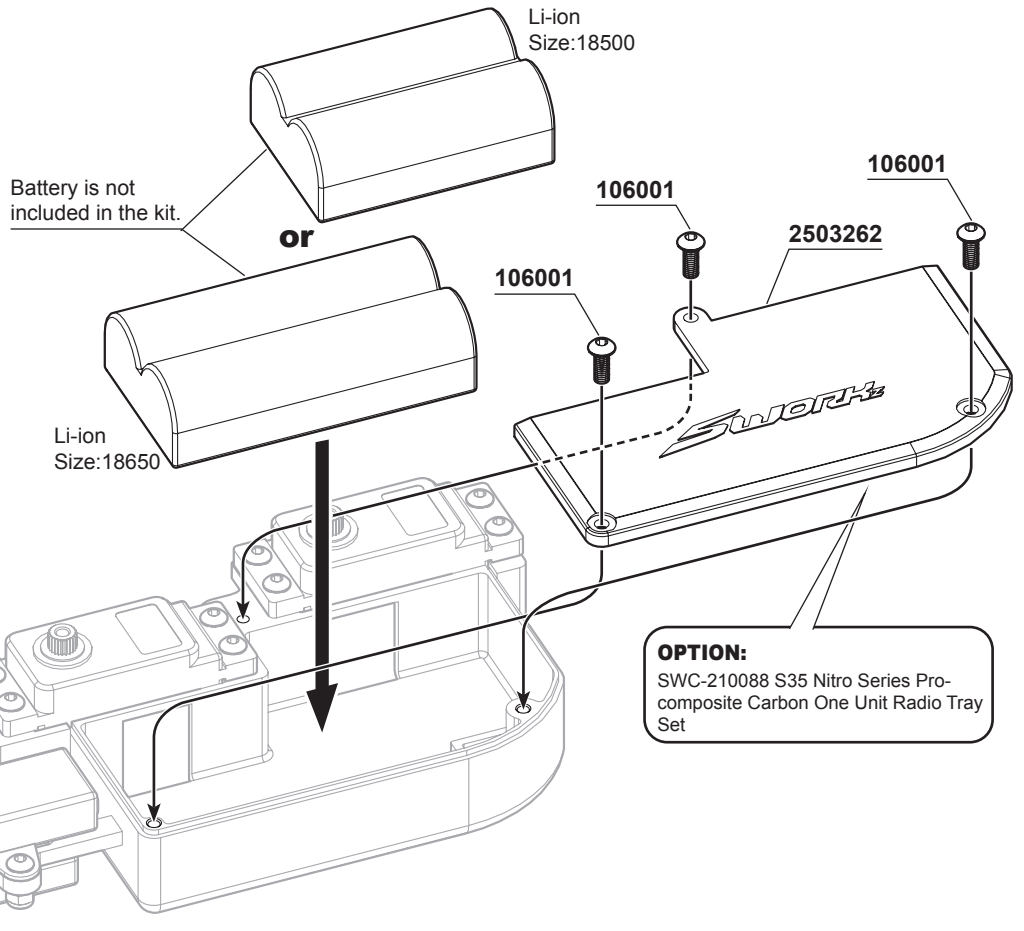
OPTION:
SWC-210088 S35 Nitro Series Pro-composite Carbon One Unit Radio Tray Set



104004
M3x3mm Set Screw x1



106001
M3x8mm Hex Socket OH/TP Screw x3

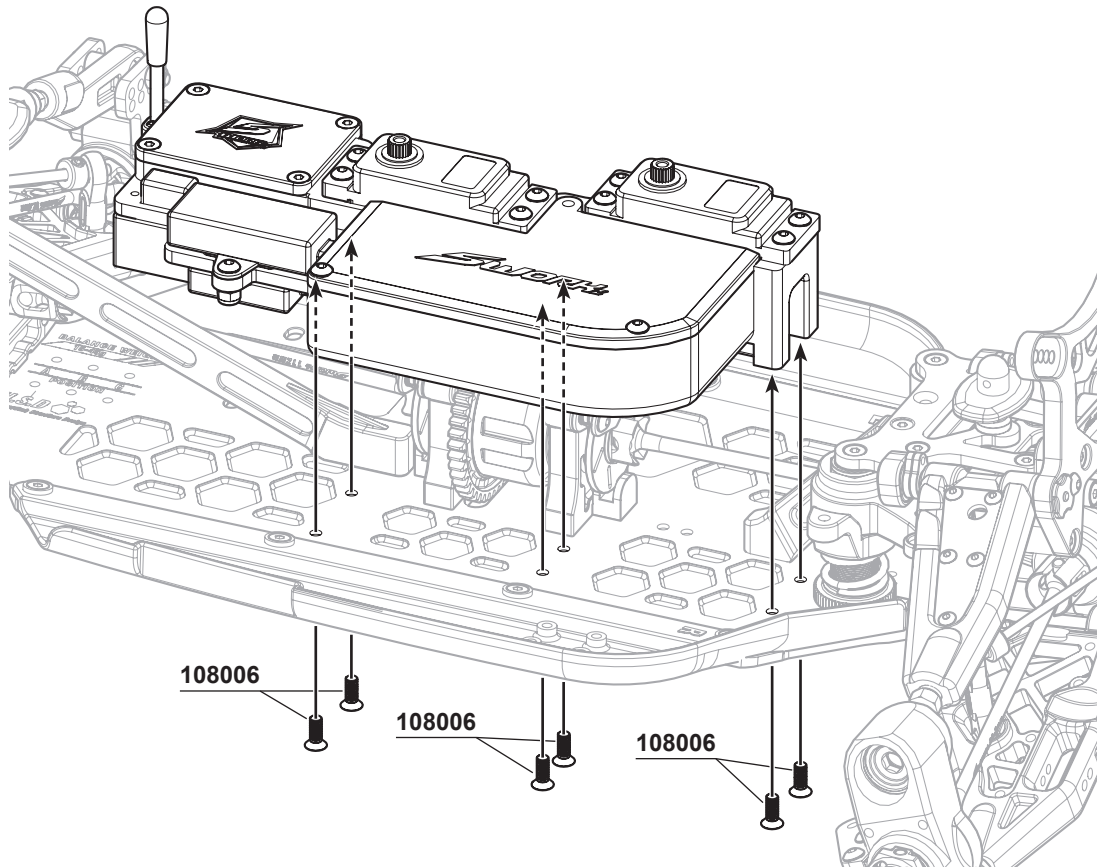


BAG G

38



108006
M3x8mm FH/ST HEX Screw x6



BAG G

39



106007
M3x12mm Hex Socket OH/TP Screw (HT) x1



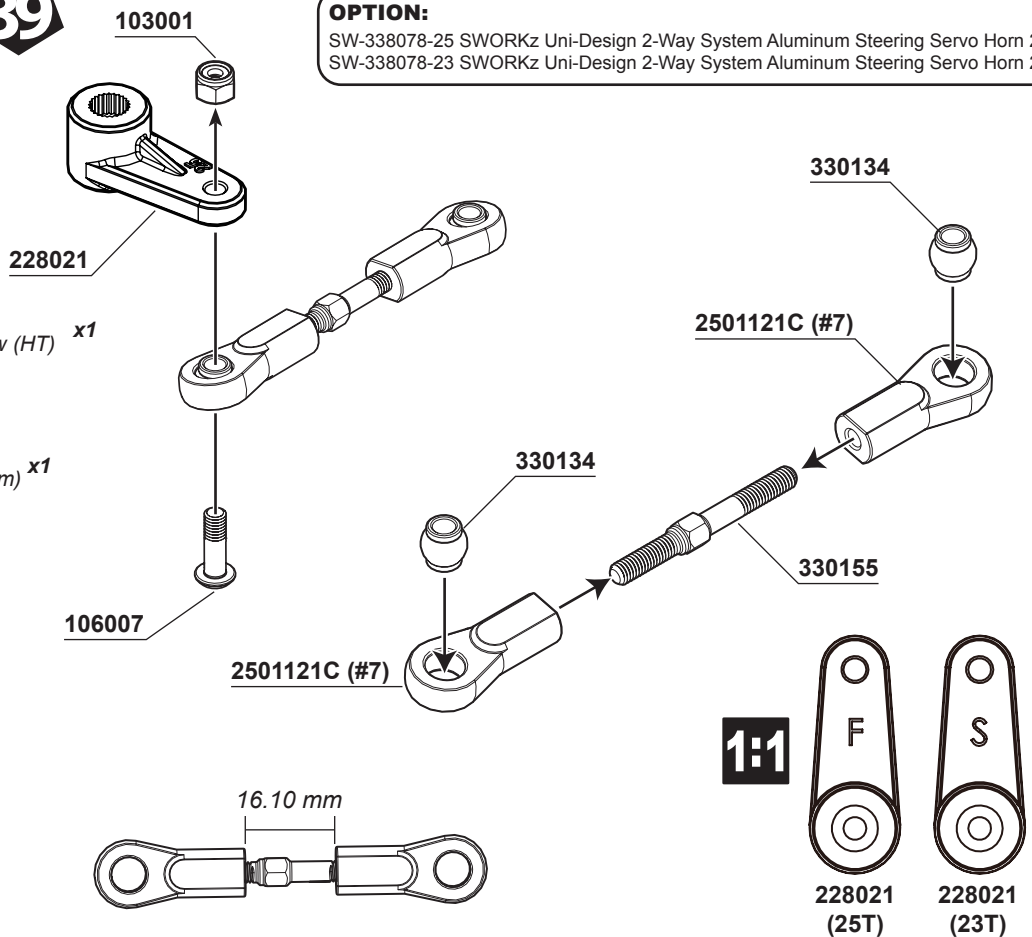
330155
Steering Servo Turnbuckle (M3x30mm) x1



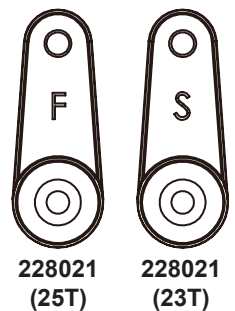
103001
M3mm Nut Lock x1

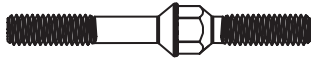
OPTION:

SW-338078-25 SWORKz Uni-Design 2-Way System Aluminum Steering Servo Horn 25T
SW-338078-23 SWORKz Uni-Design 2-Way System Aluminum Steering Servo Horn 23T

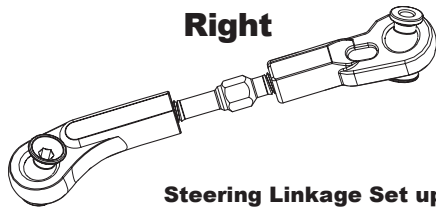


1:1



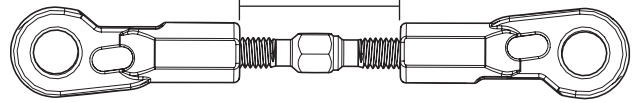


330126A
Steering Turnbuckle x2



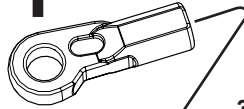
Right
Steering Linkage Set up by Straight Ball Ends

20.6 mm

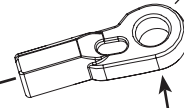


1:1

330779



330126A

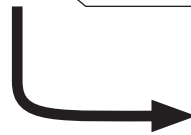


2503270 (#3)

330779T-ST

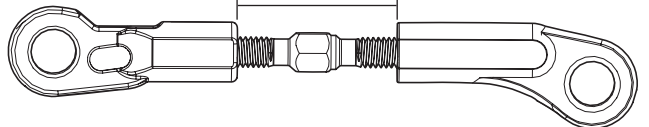


2501121C



Steering Linkage Set up by Curve Ball Ends

20.9 mm



1:1



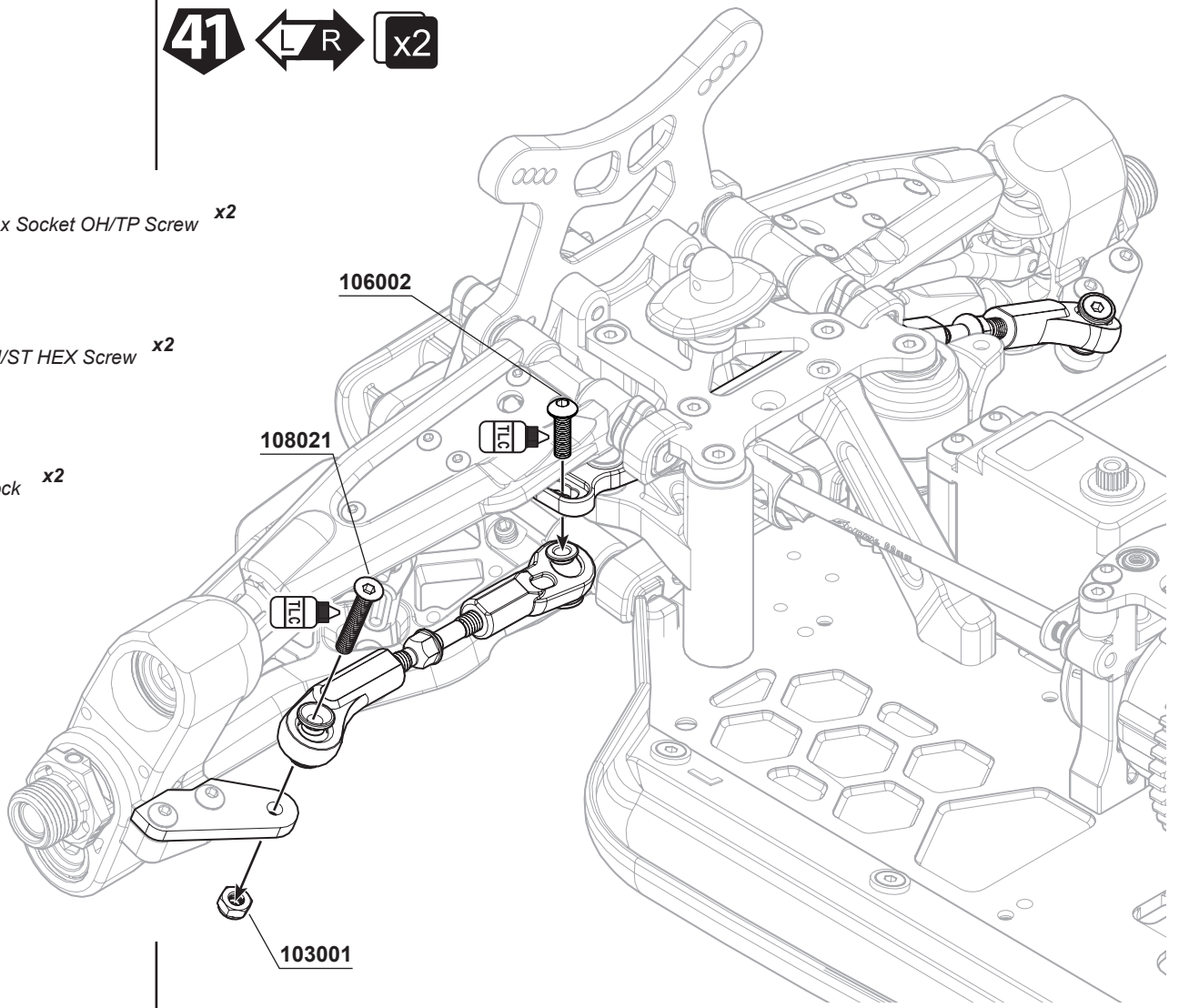
106002
M3x10mm Hex Socket OH/TP Screw x2



108021
M3x18mm FH/ST HEX Screw x2



103001
M3mm Nut Lock x2



106002

108021

TLC

103001

BAG G

42



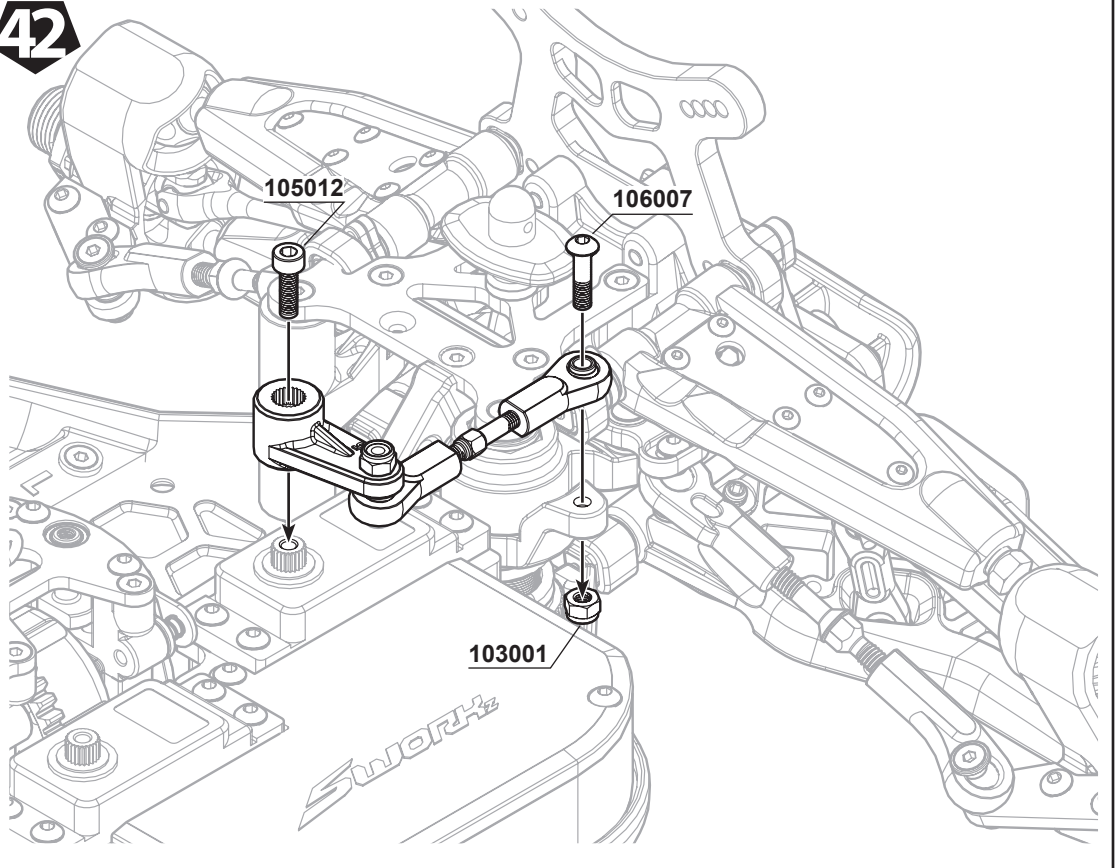
105012
M3x10mm Cap Screw x2



106007
M3x12mm Hex Socket
OH/TP Screw (HT) x1



103001
M3 Nut Lock x1



BAG H

43



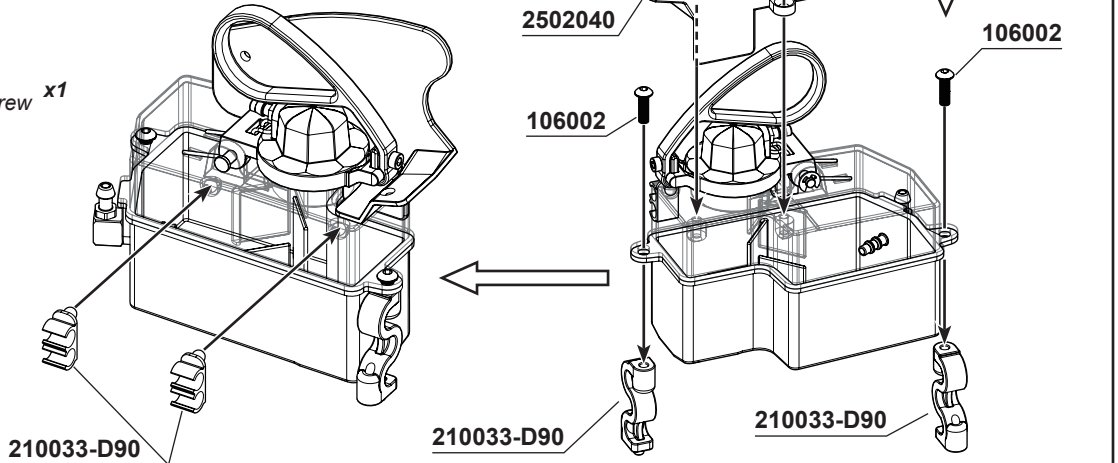
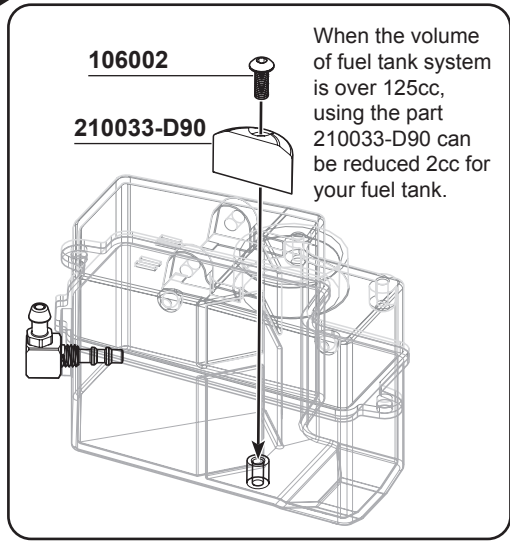
108006
M3x8mm FH/ST HEX Screw x2



106002
M3x10mm Hex Socket OH/TP Screw x3

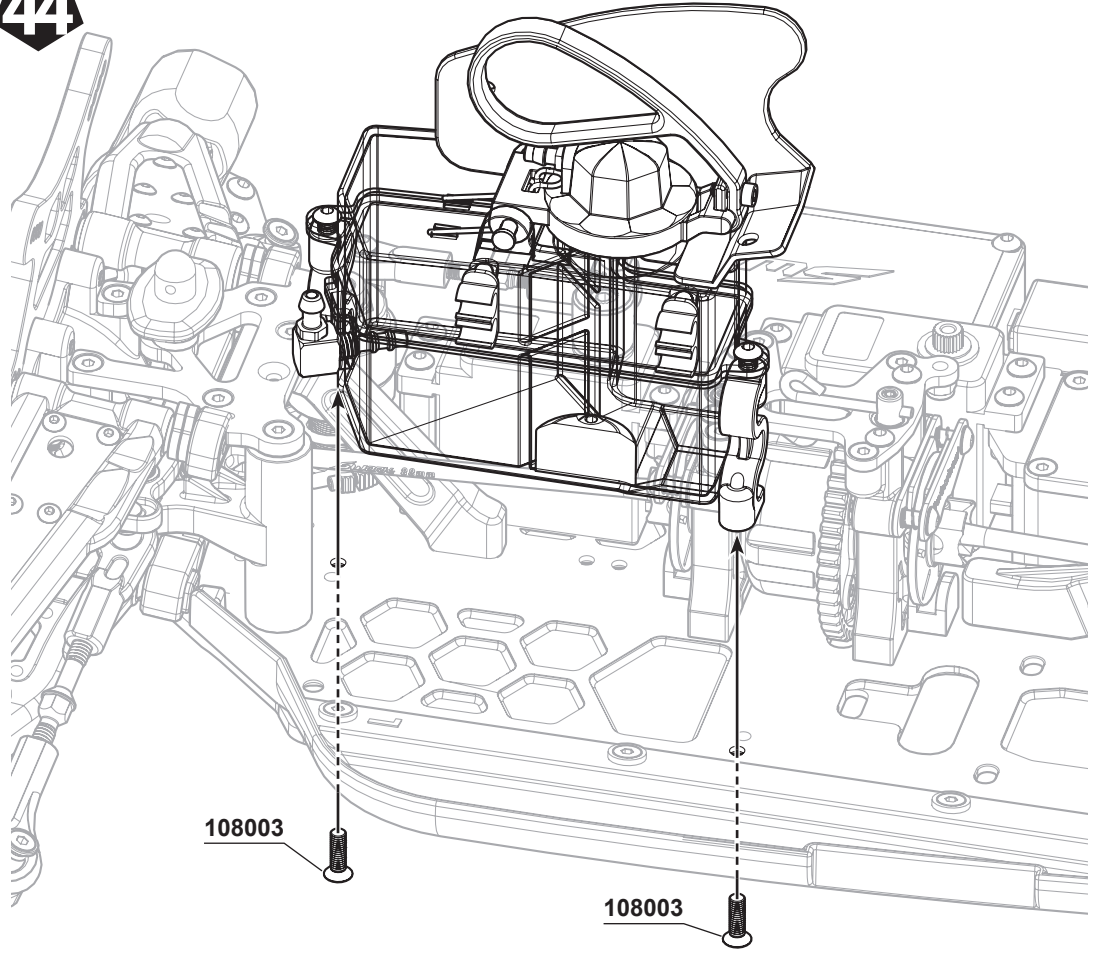


106020
M2.5x5mm Hex Socket OH/TP Screw x1





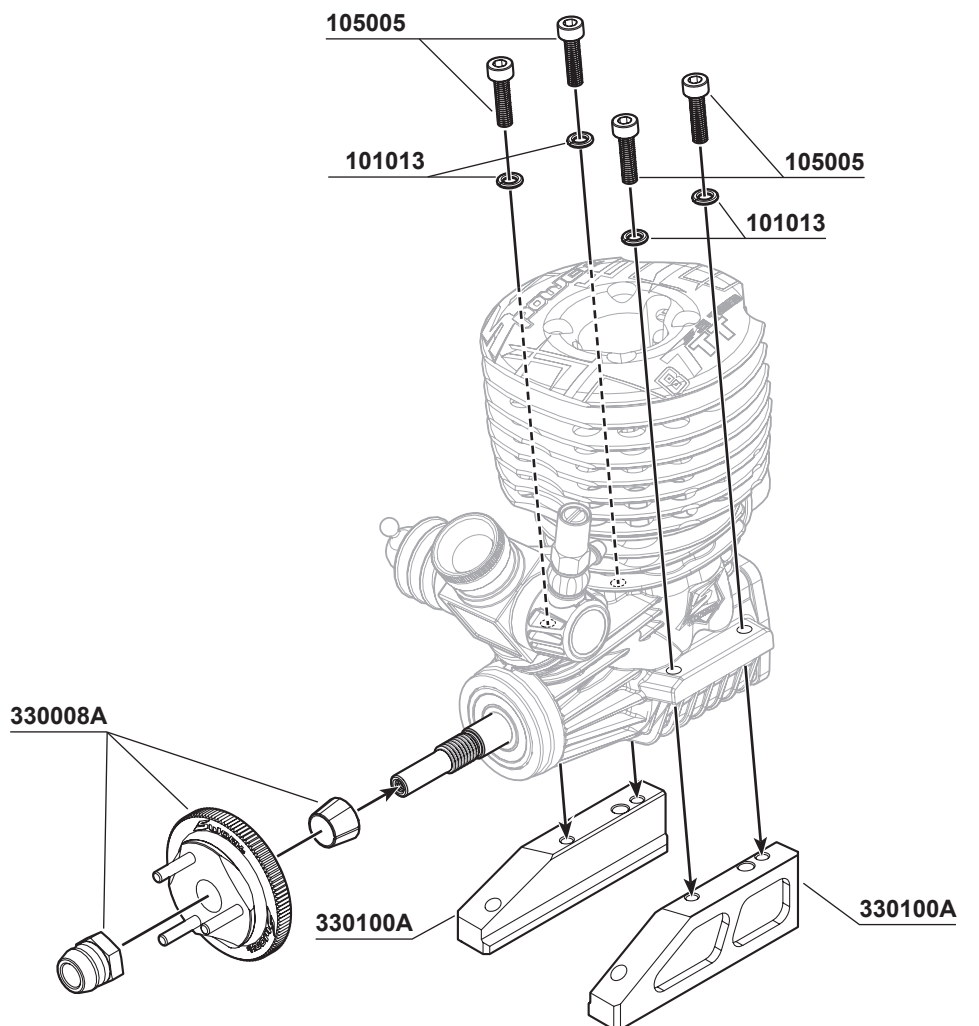
108003
M3x10mm FH/ST HEX Screw x2



105005
M3x12mm Cap Screw x4



101013
3mm Spring Washer x4





105001
M3x8mm Cap Screw x1



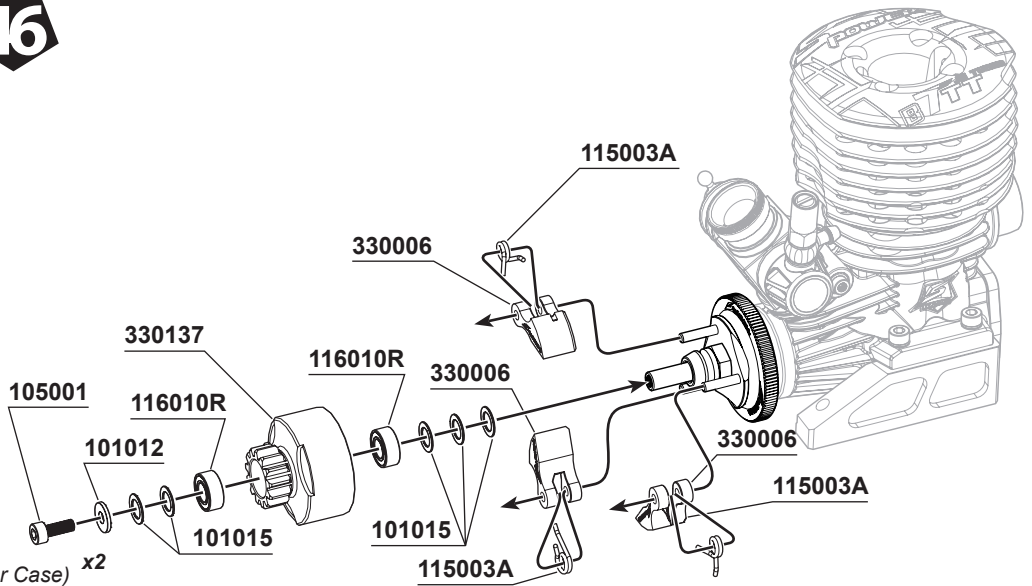
101012
M3x6xT0.6mm x1



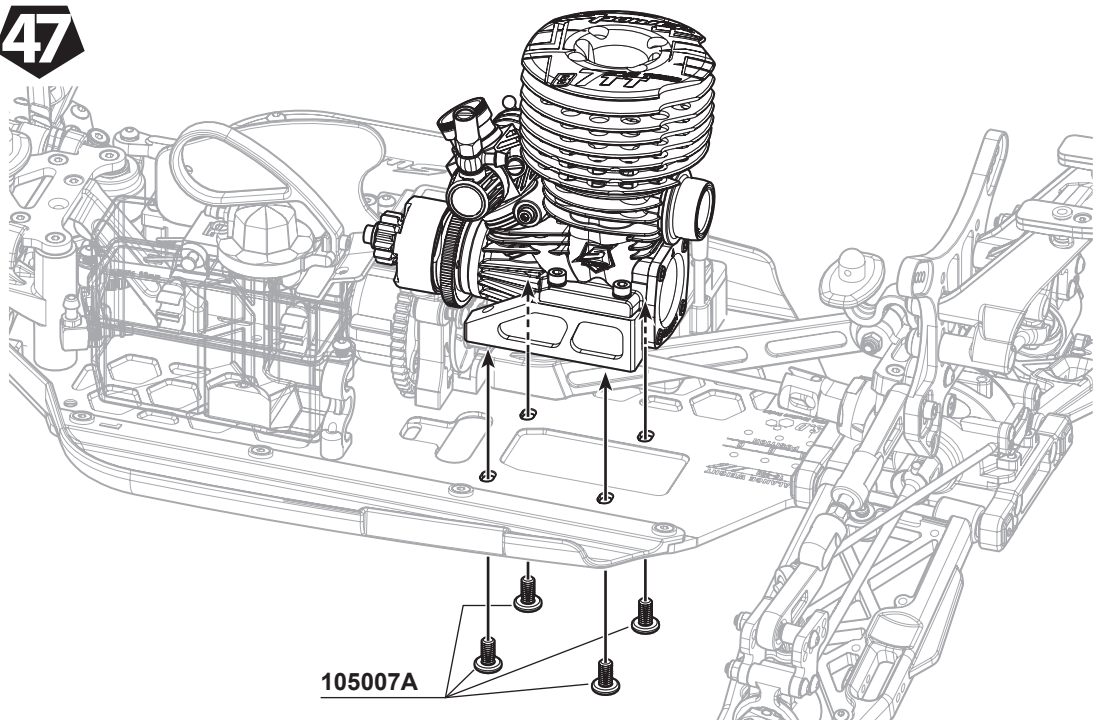
101015
M5x8xT0.4mm x5



116010R
Ball Bearing 5x10x4mm (Red Rubber Case) x2



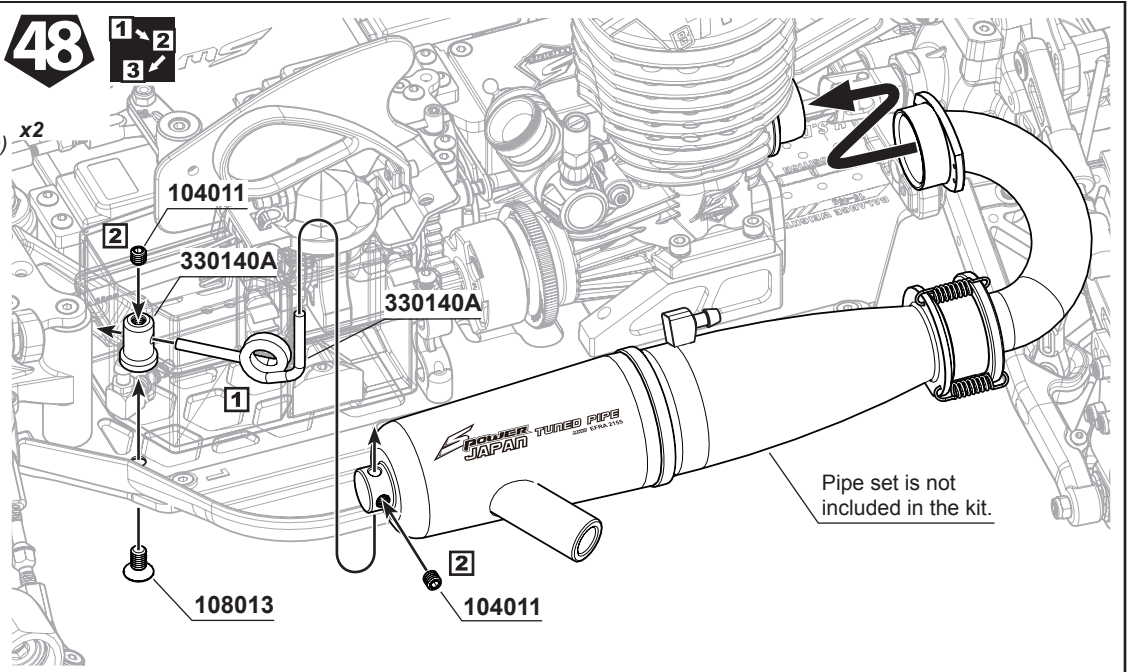
105007A
M4x8mm I-Head Screw x4



104011
M4x4mm Set Screw (Flat Bottom) x2



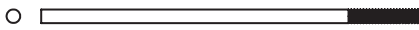
108013
M4x8mm FH/ST HEX Screw x1



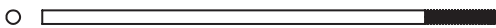
104004
M3x3mm Set Screw x6



106007
M3x12mm Hex Socket OH/TP Screw(HT) x1



210018
Throttle Rod 50mm x1



210018
Throttle Rod 60mm x2



330157A
Brake Adjuster Knob x2



106020
M2.5x5mm Hex Socket OH/TP Screw x3



108006
M3x8mm FH/ST HEX Screw x1



330156A
Adjuster Knob x4



115015
Brake Spring x2



210018
Throttle Rod Spring x1



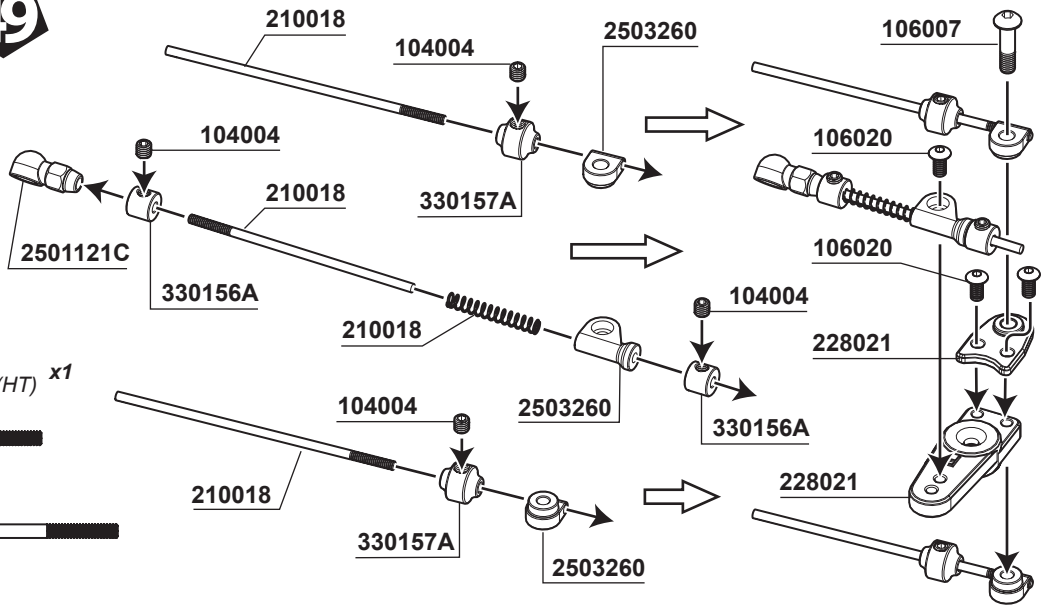
104002
M3X10mm Set Screw x1



330299
SWORKz 1/10 Linkage Ball Stud (D5mm x L7mm) x2



103001
M3 Nut Lock x1



50



OPTION:

SW-338079-25 SWORKz Uni-Design Aluminum Throttle Servo Horn 25T
SW-338079-23 SWORKz Uni-Design Aluminum Throttle Servo Horn 23T

104004

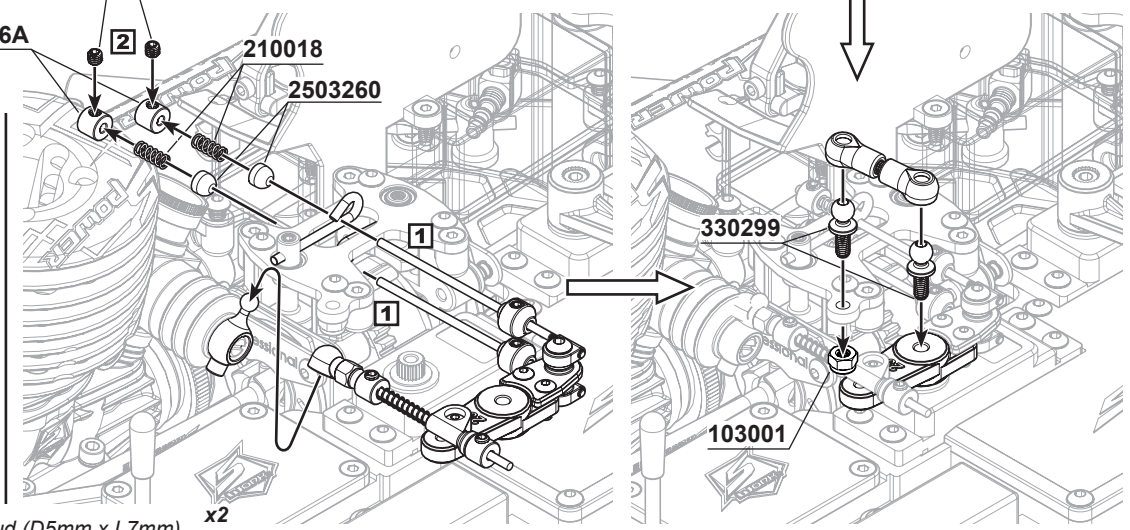
330156A

210018

2503260

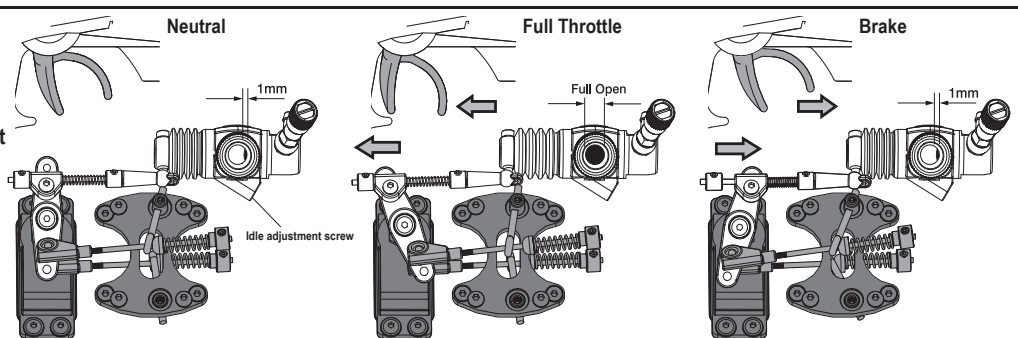
224007L3.5-6

104002



51

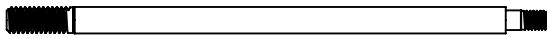
Linkage Adjustment



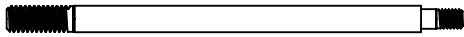
※ Turn on the transmitter and receiver. Set the throttle servo trim in neutral. Adjust the idle adjustment screw to make the carburetor opening no more than 1mm. Adjust the position of servo horn. Check that it operates smoothly without making the operation of the other parts difficult. Make sure the brake does not work in this setting.

※ Adjust the servo horn to fully open the carburetor. Change the position of servo horn if the carburetor is not fully open or opens too much. If your transmitter has a function to adjust throttle end points, make an adjustment this way.

※ Adjust the position of servo horn to make the brakes function. Make sure the brakes do not work when the servo trim is in neutral.



338062A
S35-4 Series BBS System Teflon Coated Durable Shock Shaft (L) x2



338063A
S35-4 Series BBS System Teflon Coated Durable Shock Shaft (S) x2



103004
M2.5mm Nut Lock x4



228016-Seal
Shock Seal Washer 3.5X7X1.0mm x4



228016-Seal
Shock Seal Washer 3.6X7X2.5mm x8



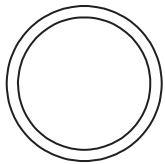
101011
M2.6x6xT0.6mm x4



400006
Shock Seal O-Ring x8



400020
Shock Seal O-Ring x4



400019
Shock Spring Adjust Nut O-Ring x4



108029
M2.0x4.6mm FH/ST HEX Screw (1.5mm HexHead) x4

Front 330634(S)
Rear 330633(L)

400020

400006

228016-Seal

330557

228006

Front 400010(S)
Rear 400009(L)

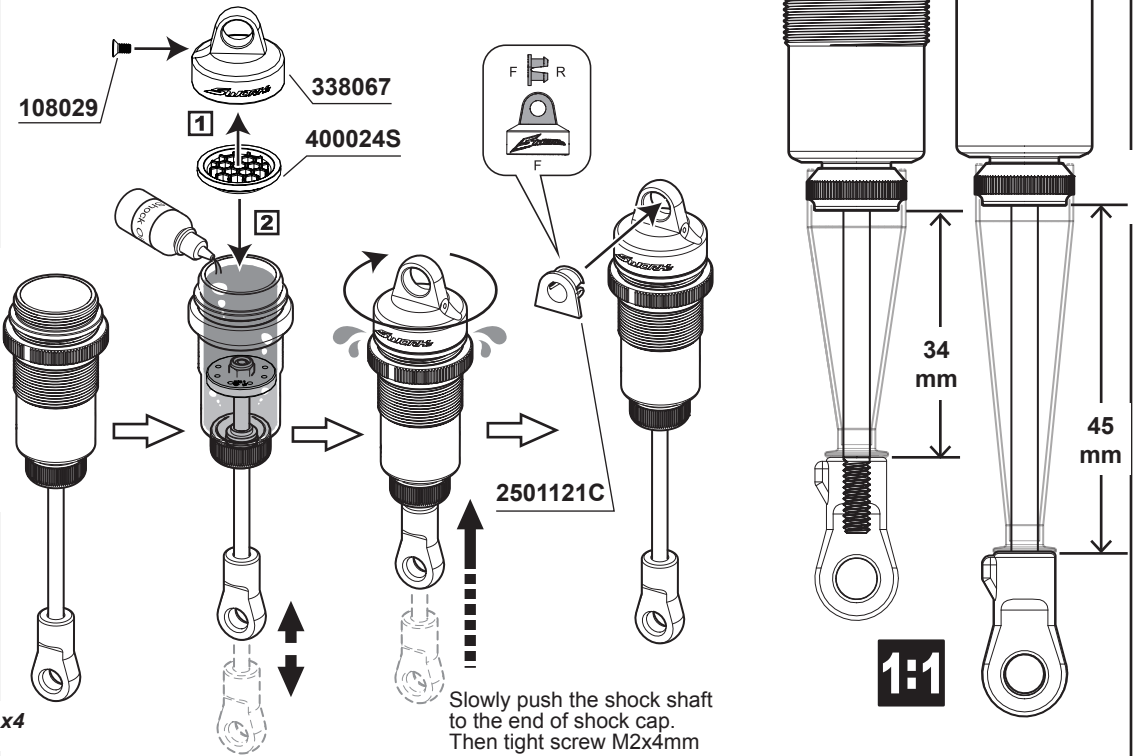
101011

103004

Front 338063A(S)
Rear 338062A(L)

Front 228016-1.2-8
Rear 228016-1.3-8

Standard bladder shock cap assembly note



115191
S35 Series Competition Black Line Rear Shock Spring (RM3-Dot)(80X1.6X10.0) x2



115182
S35-4 Black Competition Front Shock Spring (US3-Dot)(62X1.6X7.75) x2

228006

330560B

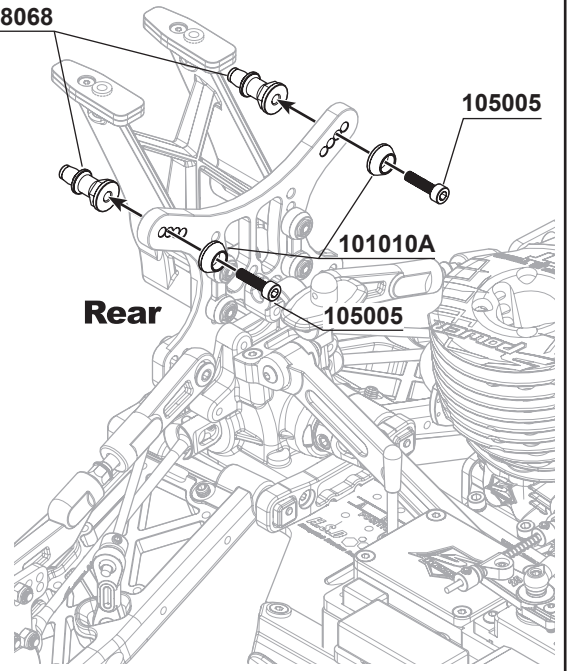
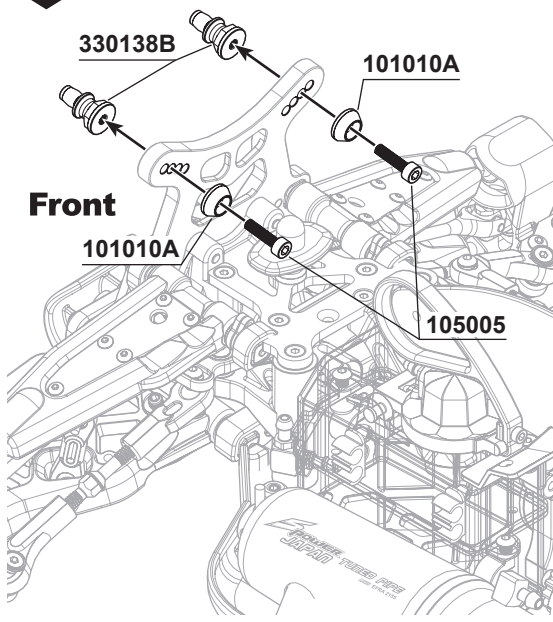
330134

400019

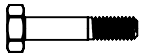
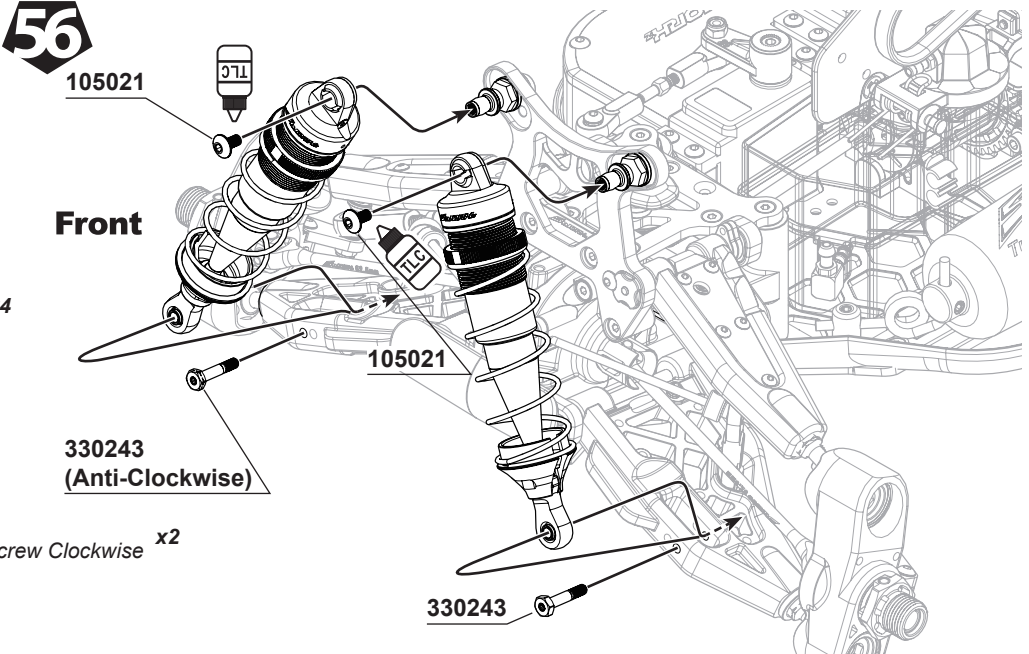
Front SWC-115182
Rear SWC-115191



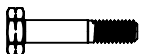
105005
M3x12mm Cap Screw x4



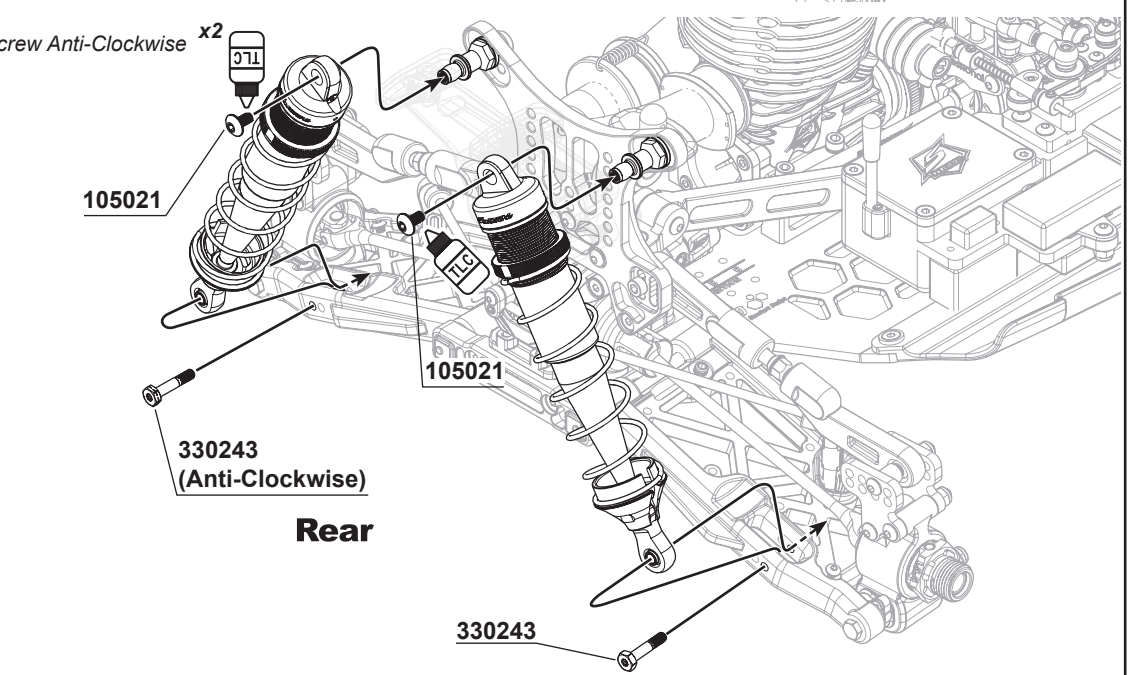
105021
M3x6mm Conical Head Screw x4



330243
SWORKz 3x16mm Shock Hex Screw Clockwise x2



330243
SWORKz 3x16mm Shock Hex Screw Anti-Clockwise x2

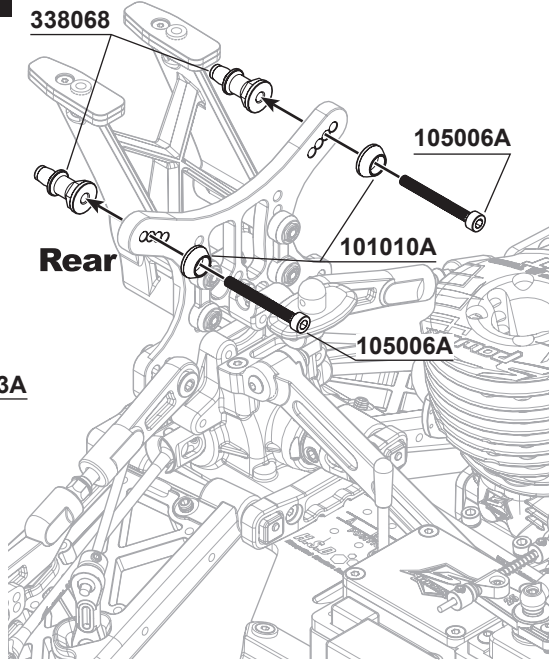
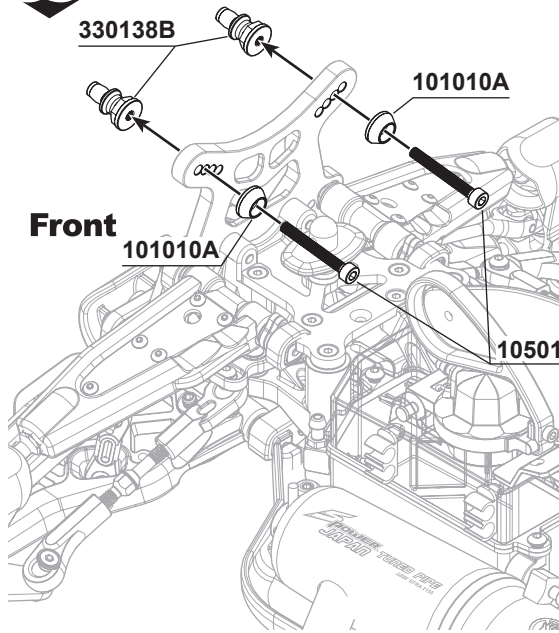




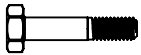
105006A
M3x28mm Cap Screw x2



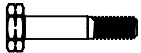
105013A
M3x25mm Cap Screw x2



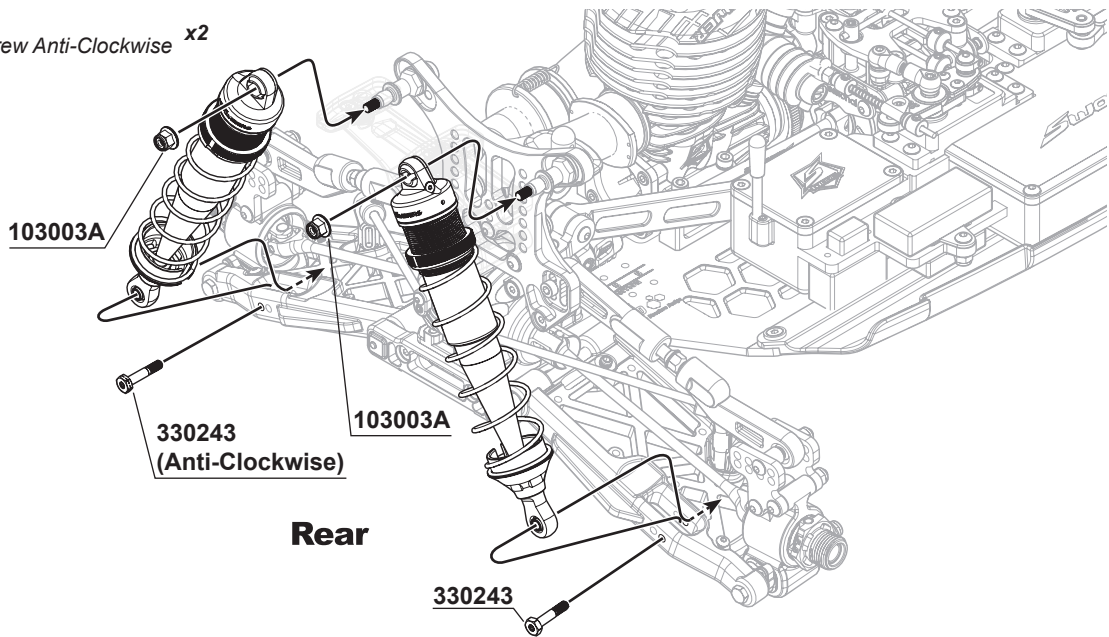
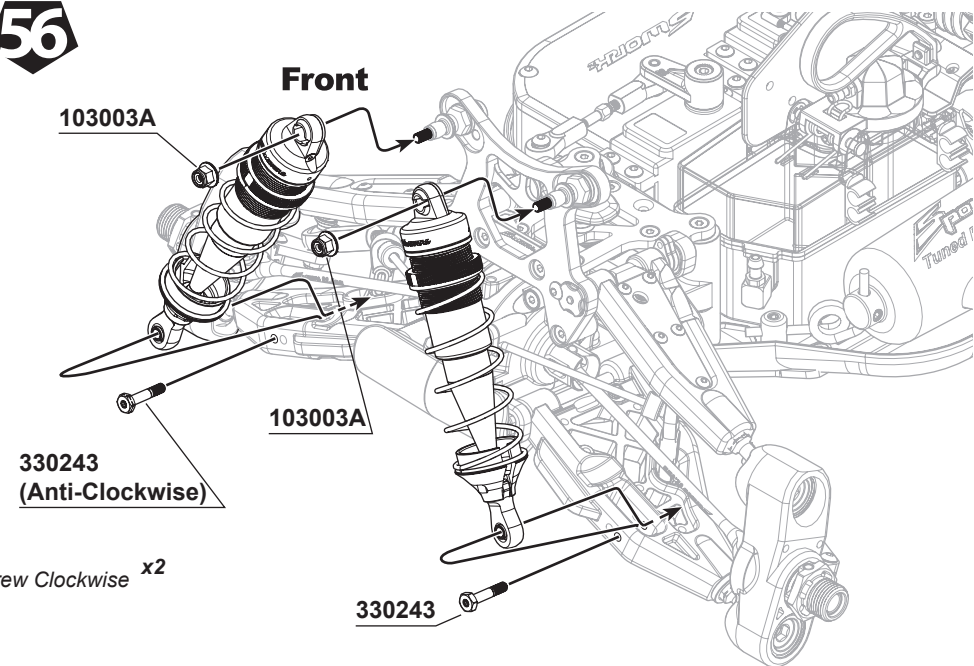
103003A
Flange M3 Nut Lock x1



330243
SWORKz 3x16mm Shock Hex Screw Clockwise x2



330243
SWORKz 3x16mm Shock Hex Screw Anti-Clockwise x2





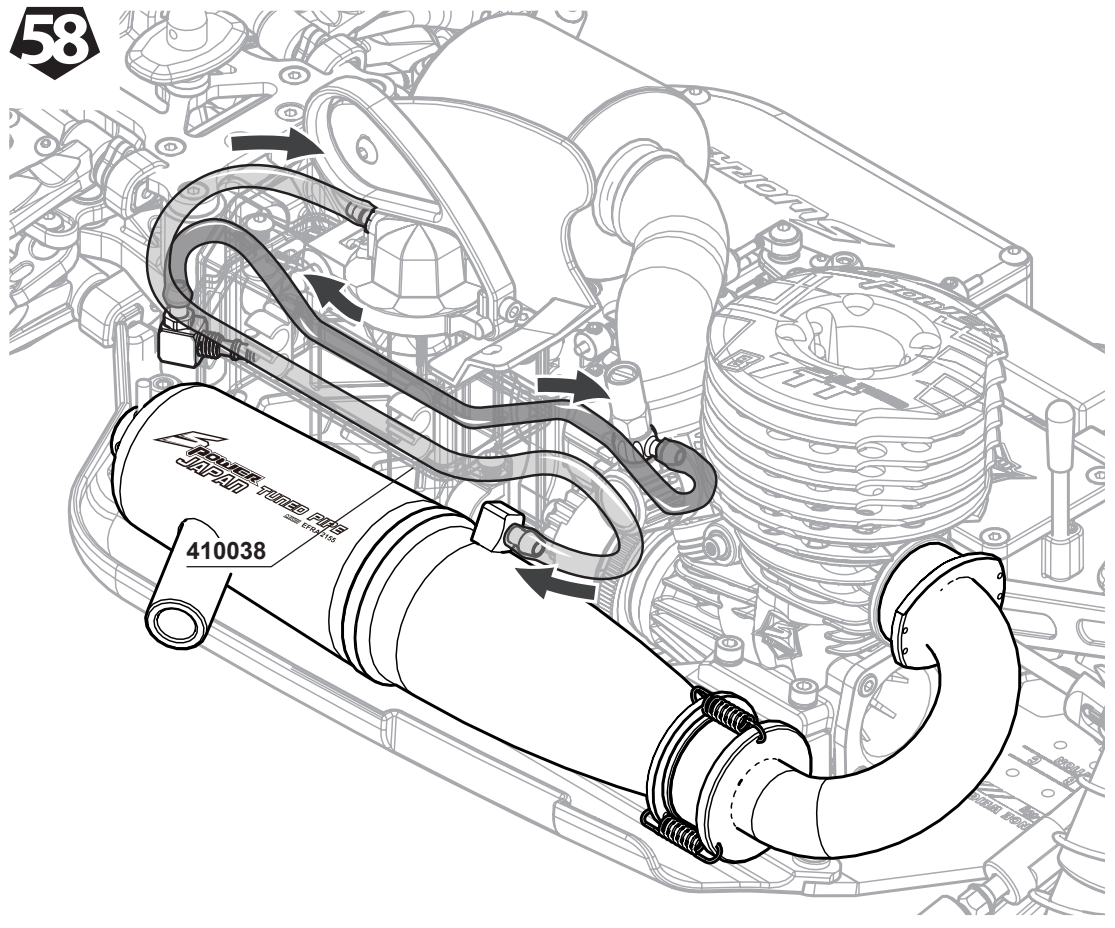
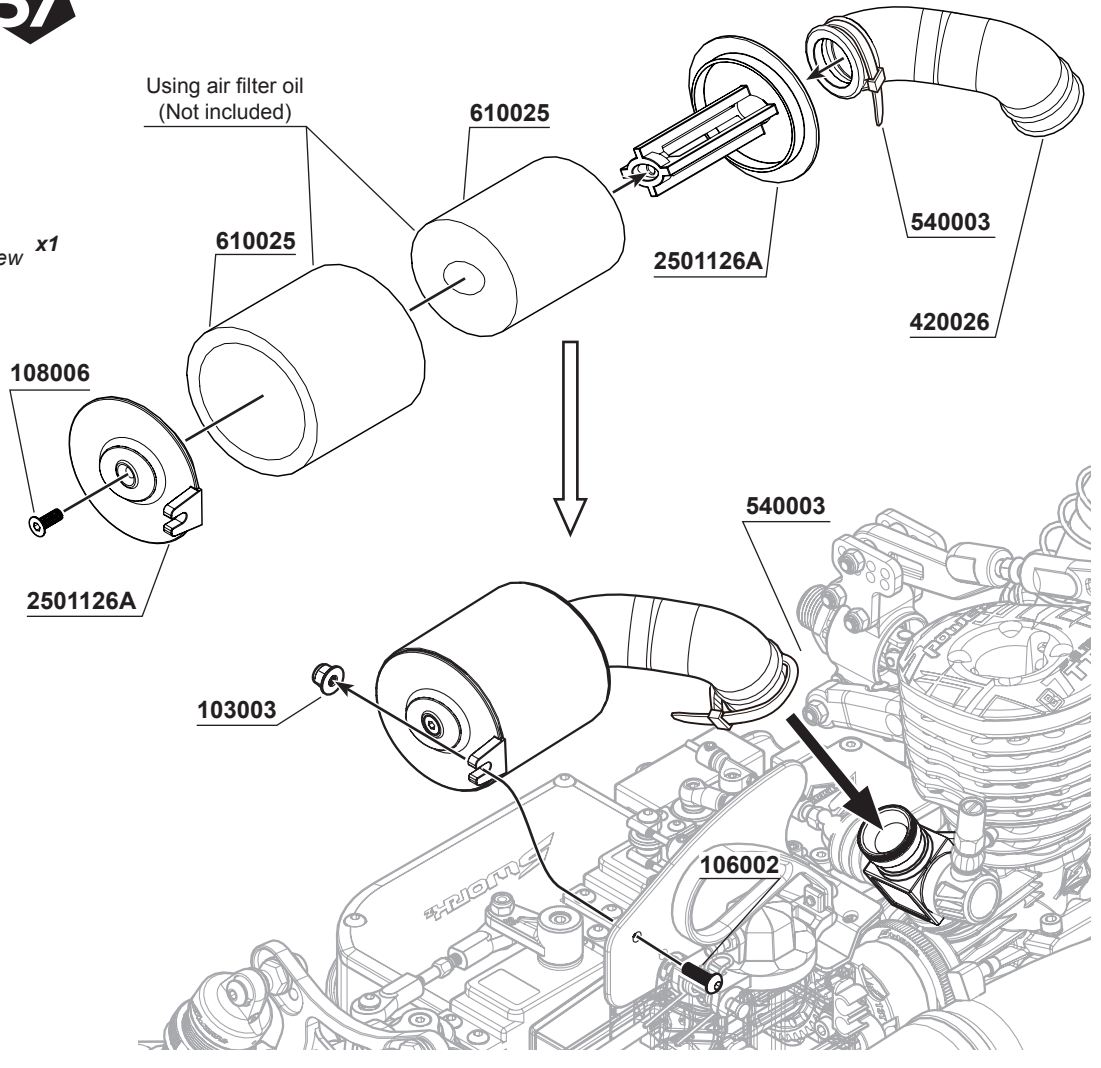
108006
M3x8mm FH/ST HEX Screw x1



106002
M3x10mm Hex Socket OH/TP Screw x1



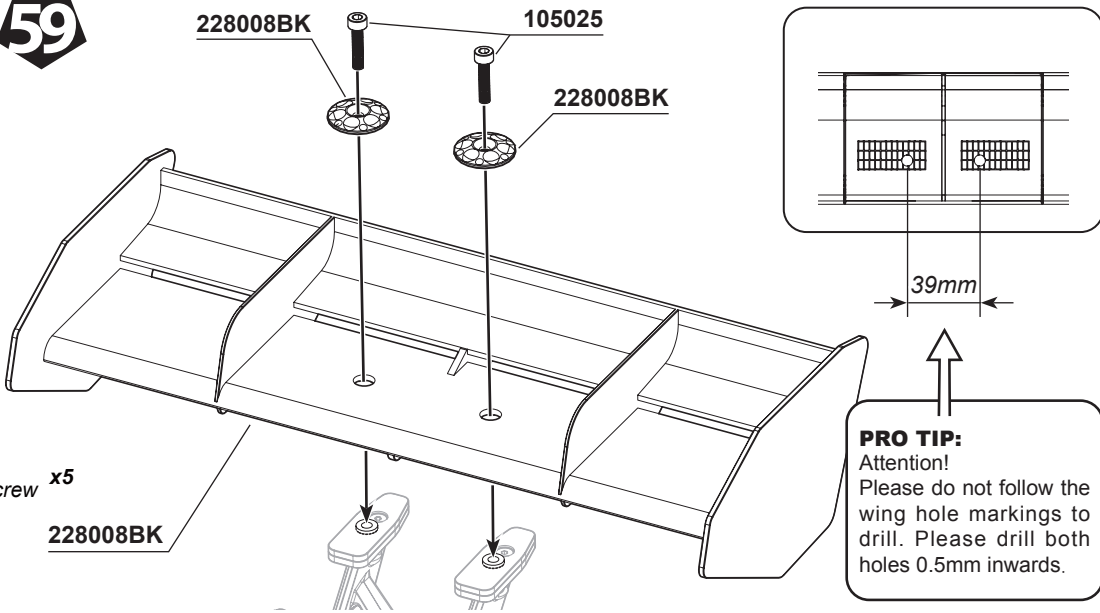
103003A
Flange M3 Nut Lock x1




59

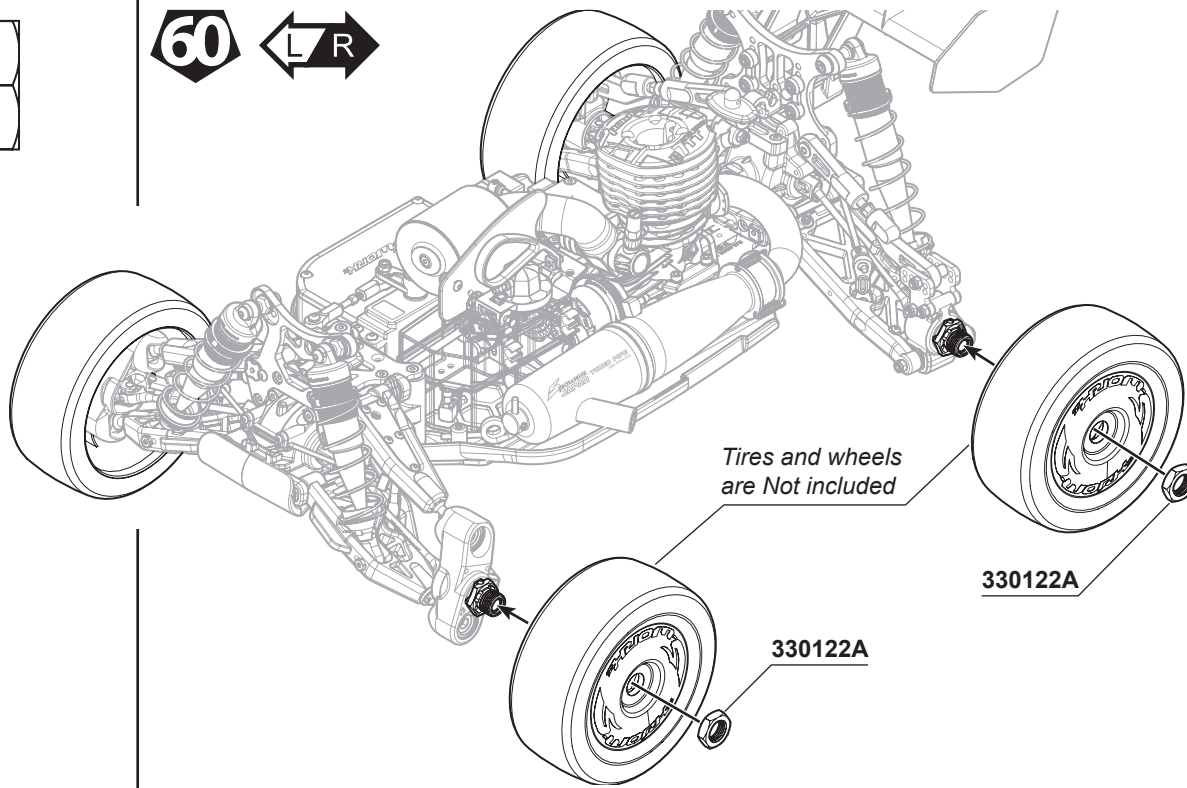

105005
M3x12mm Cap Screw x2


106025
M2.5x8mm Hex Socket OH/TP Screw x5

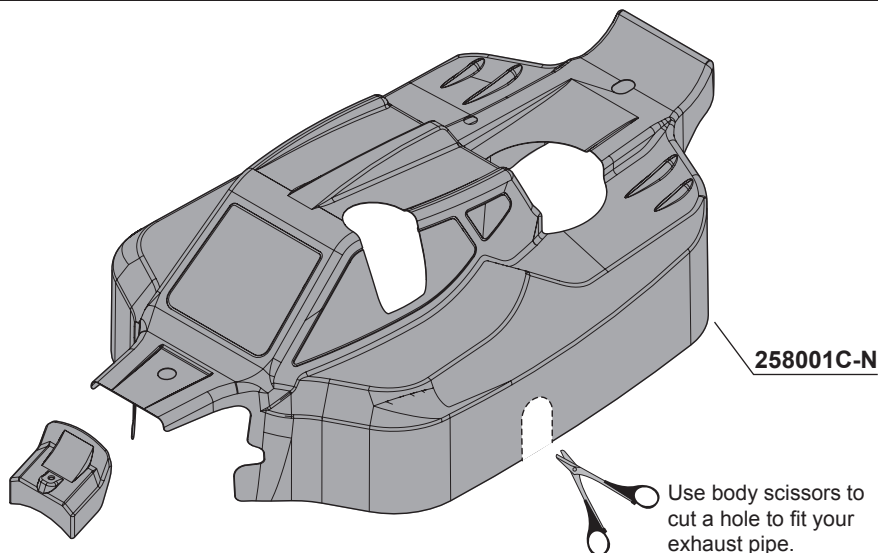



330122A
Wheel Nut x4

60 ← R

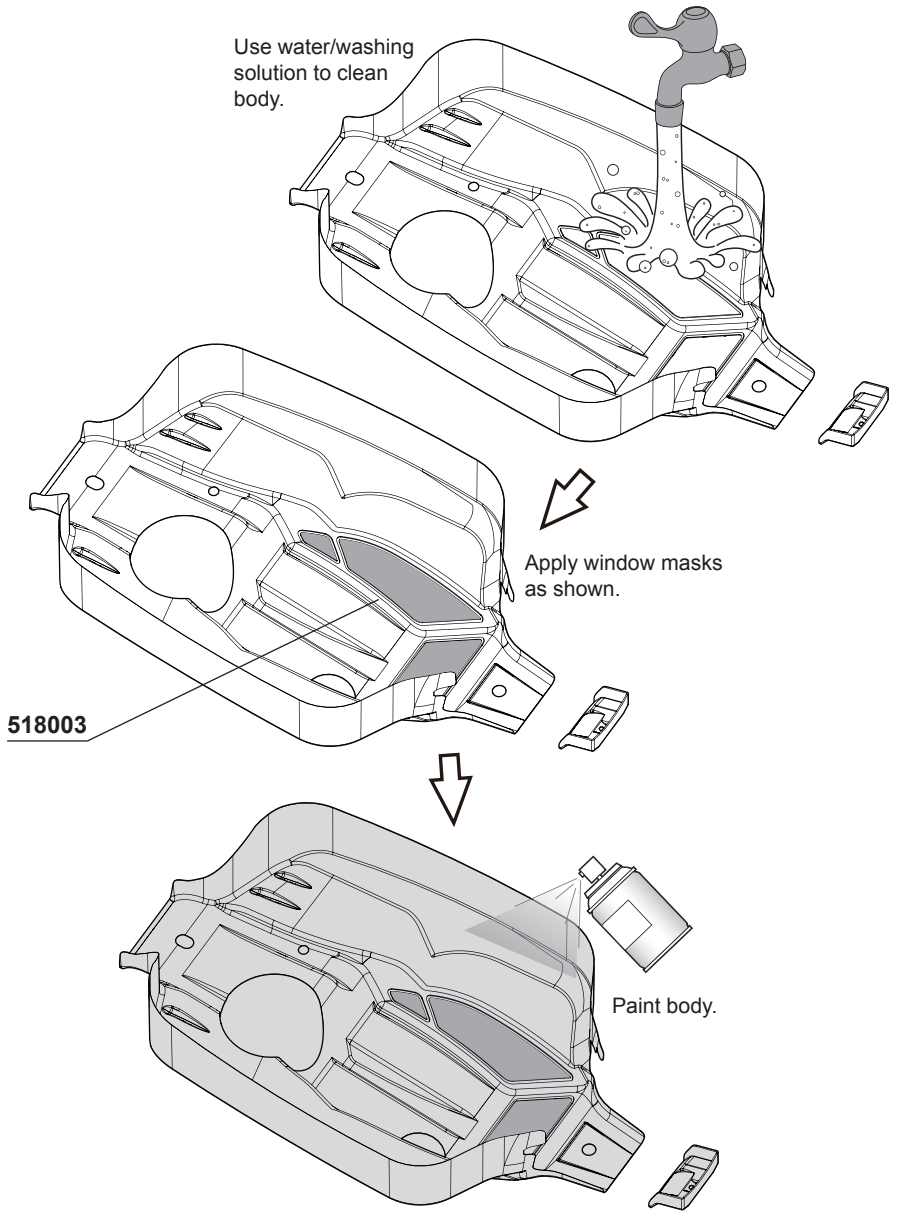


61



62

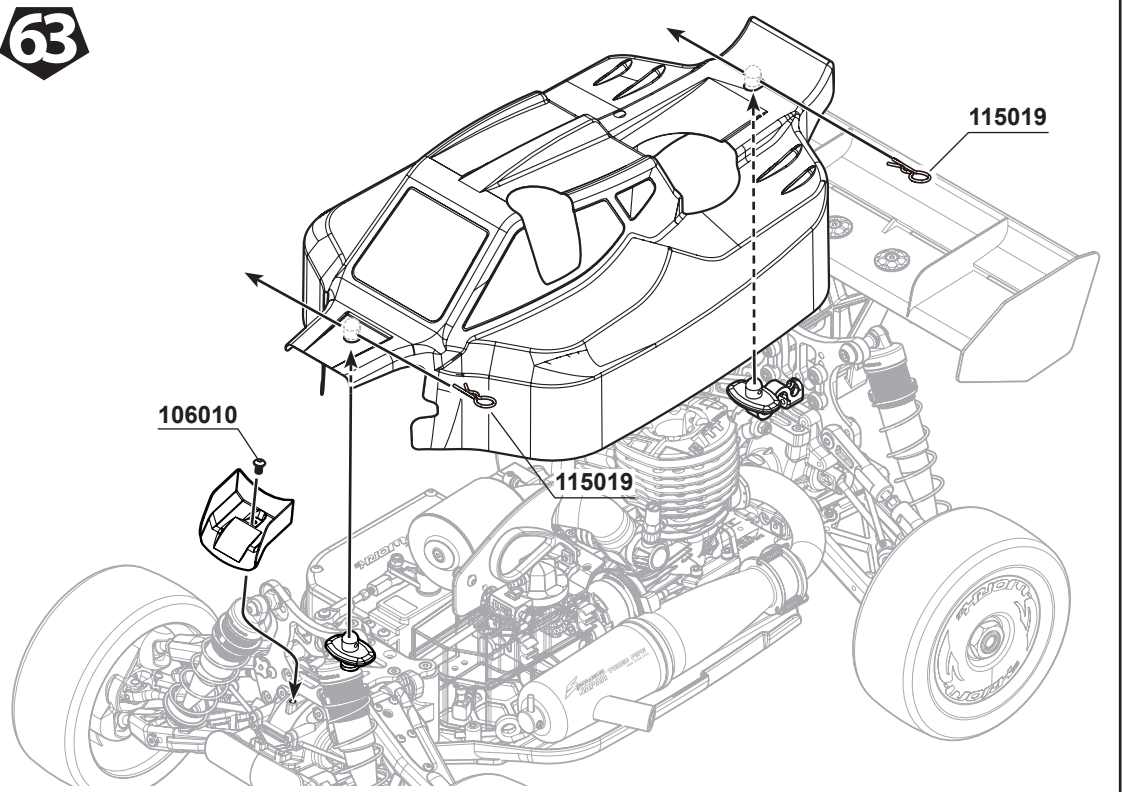
Use water/washing solution to clean body.



63



106010
Button Head Screw M3x6mm x1



Name: SWORKZ S35-4 EVO
 Date: 2023
 Track: Basic Setup

Diff. Oil
 Front: #10000
 Center: #10000
 Rear: #5000

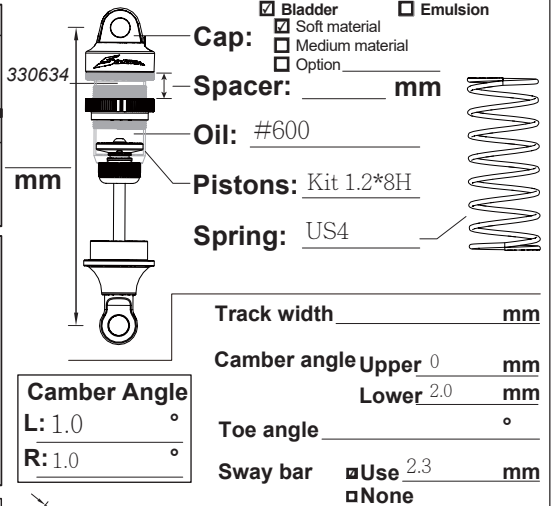
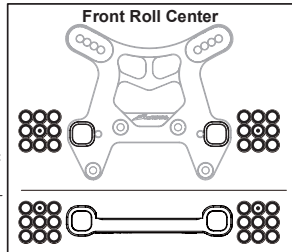
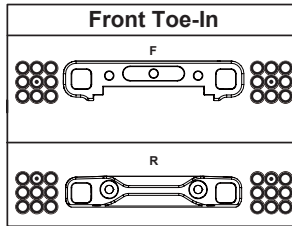
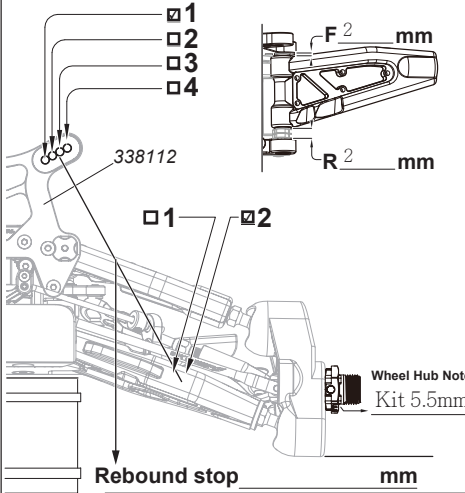
Track Conditions
 Size: Open Med. Tight
 Traction: High Med. Low
 Surface: Smooth Med. Bumpy

Tire
 Front Type: Option Rear Type: Option
 Foam: Option Foam: Option

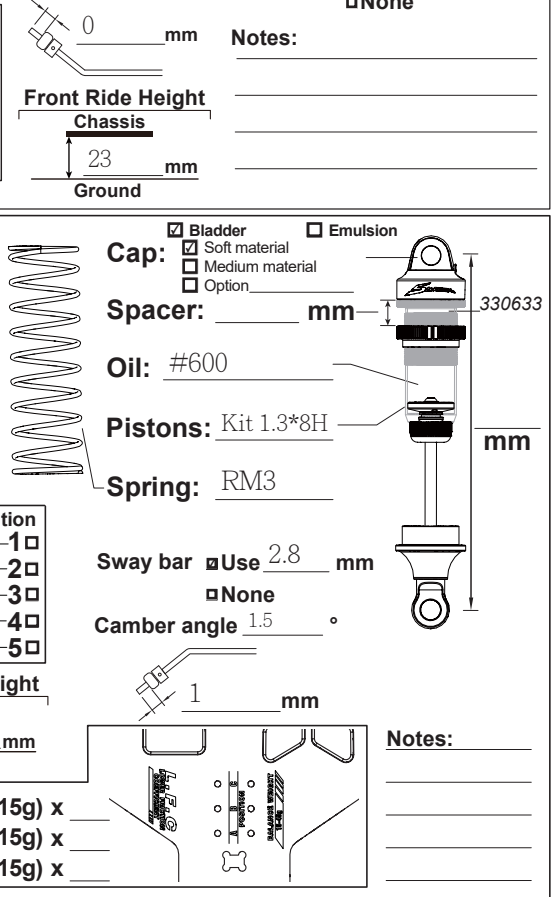
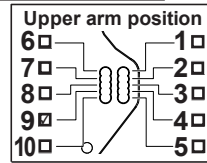
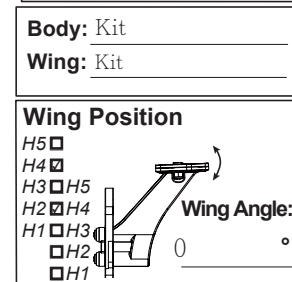
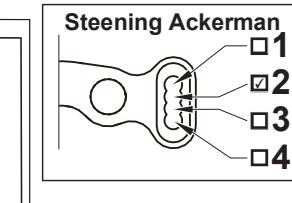
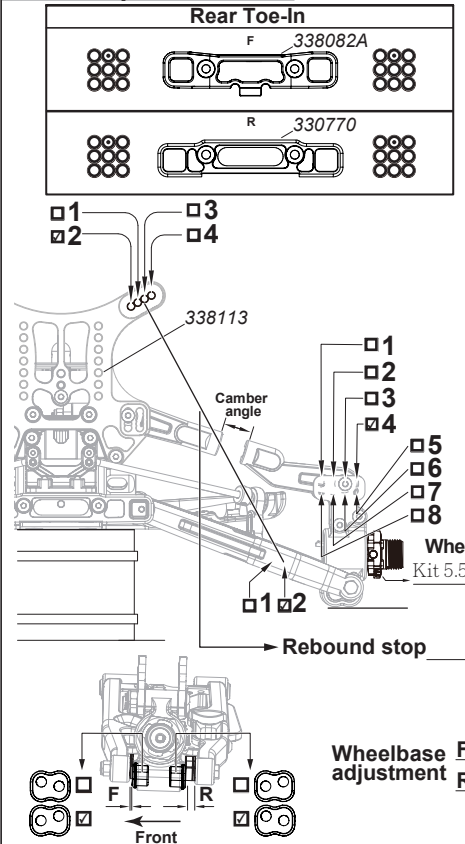
Engine
 Type: Option (Spower B7TT) Muffler: Option(EFRA2089)
 Gasket: _____ mm Fuel: Option(Tpro Fuel)
 Plug: Option(ST-3)

Clutch
 Clutch shoes: Kit Aluminum
 Spring: Kit 1.0mm x 3 _____ mm
 Clutch bell / Spur gear: 13/47

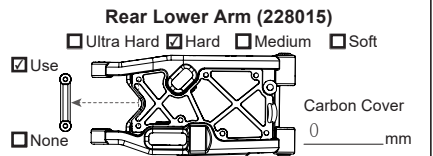
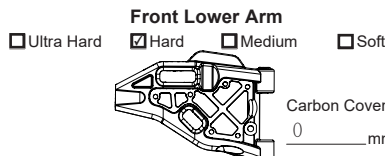
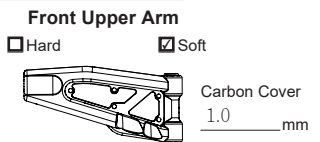
Front Suspension



Rear Suspension



Option Parts List



Name: _____
 Date: _____
 Track: _____

Diff. Oil
 Front: _____
 Center: _____
 Rear: _____

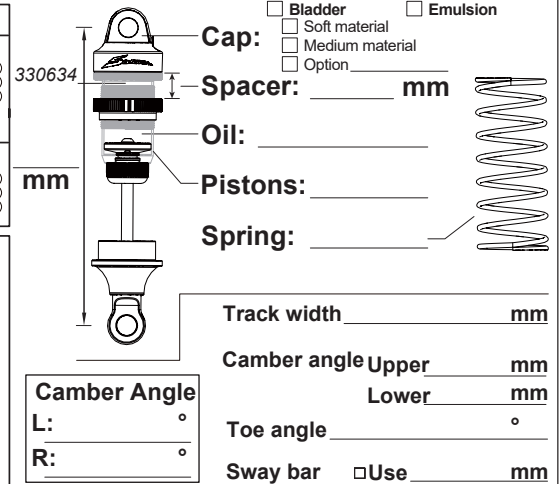
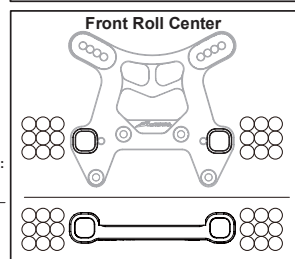
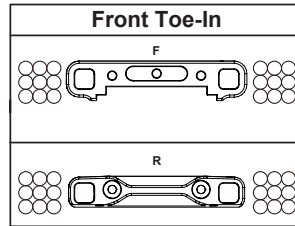
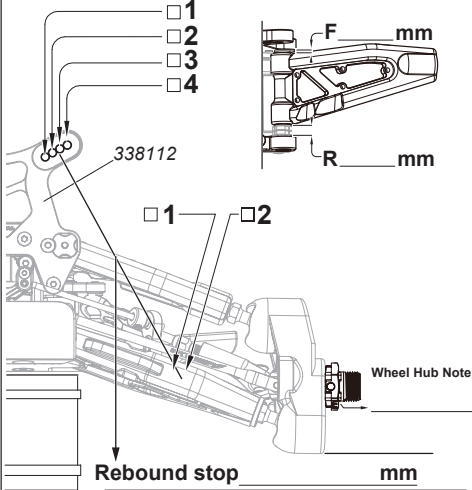
Track Conditions
 Size: Open Med. Tight
 Traction: High Med. Low
 Surface: Smooth Med. Bumpy

Tire
 Front Type: _____
 Front Foam: _____
 Rear Type: _____
 Rear Foam: _____

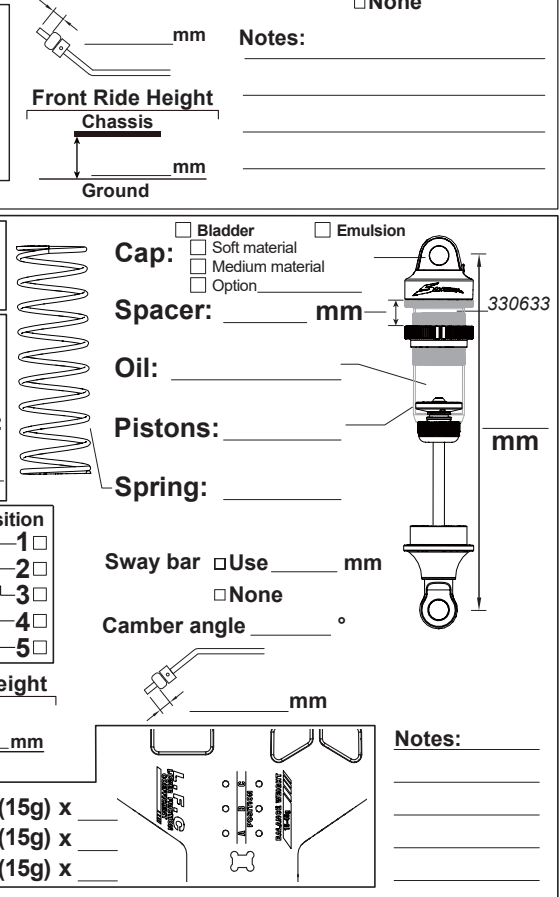
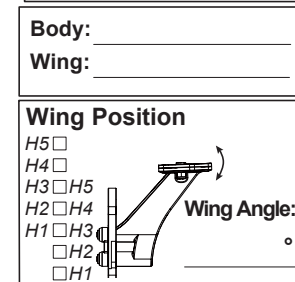
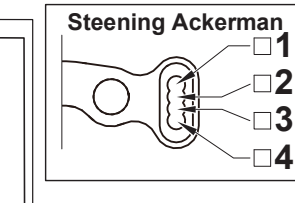
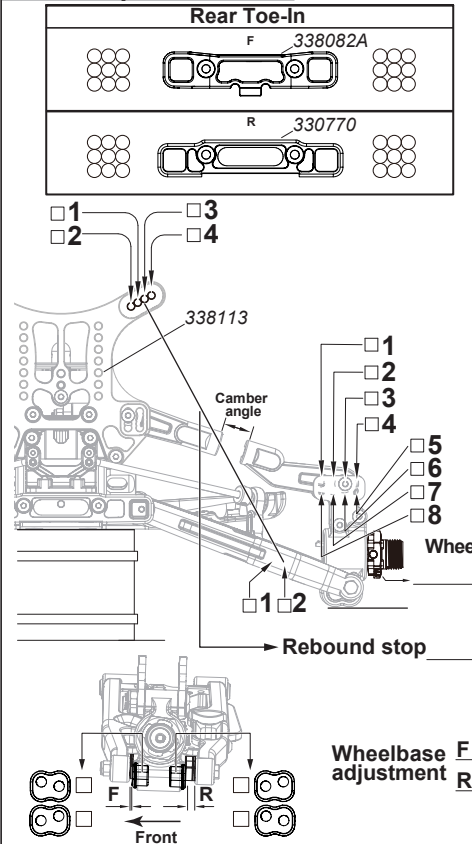
Engine
 Type: _____ Muffler: _____
 Gasket: _____ mm Fuel: _____
 Plug: _____

Clutch
 Clutch shoes: _____
 Spring: _____ mm
 Clutch bell / Spur gear: _____

Front Suspension



Rear Suspension



Option Parts List

Front Upper Arm
 Hard Soft
 Carbon Cover _____ mm

Front Lower Arm
 Ultra Hard Hard Medium Soft
 Carbon Cover _____ mm

Rear Lower Arm (228015)
 Ultra Hard Hard Medium Soft
 Use _____ mm
 None

Parts No. List

Part No.	Part Name	Q'ty in Use	Item No.	Part No.	Part Name	Q'ty in Use	Item No.
210091	S35-3W Plastic Front/Rear Big Bore Diff Case	2	SW-210091	330560B	S35 New BBS System Shock Spring Adjust Nut (BK)	4	SW-330560B
210079A	S35-4 Plastic Center Big Bore HET Diff Case	1	SW-210079A	330580C	S35 Nitro Series Competition Brake Disc	2	SWC-330580C
210033-D90	S35/S350 Series Floating Fuel Filter System with 90 Degree Fuel Injectors Tank	1	SW-210033-D90	330633	S350 BBS System +5.6mm Shock Body L (HD)	2	SWC-330633
2501115	S350 Rear Lower Arm Dusty Cover with Fuel Sprinkle Guard	1	SW-2501115	330634	S350 BBS System +5mm Shock Body S (HD)	2	SWC-330634
2501124	S350 Center Diff. Mount Set	2	SW-2501124	330647	S350 BBD Special Brake Cam	1	SWC-330647
2501529	S350 BX1/BR1 Rear Chassis Brace	1	SW-2501529	330661A	S35-T/S35 Series Competition Center Drive Join (5mm set screw)	2	SW-330661A
2501097B	S35 Series Front Bumper	1	SW-2501097B	330663A-112	S35 Competition Steel F-Center Drive Shaft (ST-112mm)	1	SW-330663A-112
2501121C	S35/S350 Series Ball End Set with Shock Plastic Parts	2	SW-2501121C	330767A	S35-3 Series Steel F-Center Dive Shaft (88mm)	1	SW-330767
2501126A	S350/S350T Series Option Air Filter Extension Set	1	SW-2501126A	330770	S35-3 Series Aluminum Rear Changeable Lower Arm Holder	1	SW-330770
2502040-02	S350T Body Mount with Fuel Tank Ring-pull	1	SW-2502040-02	330782	S35-3 Series Rear Hub Carriers Hinge Pin	2	SW-330782
2503260	S353 Series Plastic Inserts Set	1	SW-2503260	330779	S35-4/e EVO Series Steering Linkage Steel Ball Stud 7mm (L6)	2	SW-330779
2503261A	S35-3/GT Series Gear Box Set (Fit 5x13x4mm Ball Bearing)	2	SW-2503261A	330779T-ST	S35-4/e EVO Steering Linkage Steel Ball Stud 7mm (L6 Thread Type)	2	SW-330779T-ST
2503262	S35-3 Nitro Buggy Radio Tray Set	1	SW-2503262	338011	S35 series Pinion Gear Stopper (5x7x5.1mm)	2	SW-338011
2503264A	S35-3 Series Front Steering Knuckle (Type 2.0) L	1	SW-2503264A	338023	S35-3W Pinion Gear 13T	2	SW-338023
2503270-1	S35-3 Series Front Upper Arms	2	SW-2503270-1	338024	S35-3W Crown Gear 43T	2	SW-338024
2503270-2	S35-3 Series Rear Upper Arm Outside Ball Ends	4	SW-2503270-2	338025	S35-3W Bevel Gear Shaft	6	SW-338025
2503270-3	S35-3 Series Front Steering Ball Ends	2	SW-2503270-3	338027	S35-3W Front/Rear Diff. Outdrive	4	SW-338027
228001DG	S35-4 Series Plastic Inserts Set (Durable)(Gray)	2	SW-228001DG	338028	S35-3W Center Diff. Outdrive	2	SW-338028
228002-1	S35-4 Series Plastic Rear Wheel Hub (R=L)	2	SW-228002-1	338040	S35-4 Series Center Spur Gear for Big Diff. Bevel Gear Case (47T)	1	SW-338040
228002-2	S35 Series Plastic Front Chassis Shorty Brace	1	SW-228002-2	338043	S35-3/4 Series Servo Saver Nut with Screw Fixed	1	SW-338043
228003A	S35 Series Integrated Wing Mount Set 2.0	1	SW-228003A	338048	S35-4 Series Servo Saver Shaft	2	SW-338048
228004A	S35-4 Series Plastic Side Guard Set with Stopper	1	SW-228004A	338056	S35-4 Series Lower Arm Hinge Pin (68.5mm)	4	SW-338056
228005H-F	S35-4 Series Front Lower Arm in Soft Material	2	SW-228005H-F	338057A	S35-4/e EVO Series T7 Aluminum Front Upper Arm Holder	1	SW-338057A
228006	S35 Series Shock End/Body Mount/Ball Ends Set	2	SW-228006	338058A	S35-4/e EVO Series 5mm T7 Aluminum Front Lower Arm Plate (FF)	1	SW-338058A
228008BK	SWORKz 1/8 Off Road Formula 2.0 Race Wing (BK)	1	SW-228008BK	338059	S35-4 Series T7 Aluminum Front Lower Arm Holder (FR)	1	SW-338059
228015H	SWORKz S35-4 Series Arched-Bridge-System Rear Lower Arm Set (Hard)	2	SW-228015H	338062A	S35-4 Series BBS System Teflon Coated Durable Shock Shaft (L)	2	SW-338062A
228017	S35-4/e EVO Series Lay-Down Type Steering Bellcrank Set	1	SW-228017	338063A	S35-4 Series BBS System Teflon Coated Durable Shock Shaft (S)	2	SW-338063A
228021	SWORKz 1/8 Steering and Throttle Servo Horn Set	1	SW-228021	338067	S35-4 Series Emulsion/Bladder 2 Ways Syatem Shock Cap	4	SW-338067
228016-1.2-8	SWORKz 1/8 BBS Precision Plastic Shock Piston(1.2X8Holes)	2	SW-228016-1.2-8	338068	S35-4 Series T7 Aluminum Shock Stud (L)	2	SW-338068
228016-1.3-8	SWORKz 1/8 BBS Precision Plastic Shock Piston(1.3X8Holes)	2	SW-228016-1.3-8	338070B	S35 Series Rear Upper Sus. Arm Ball Stud (7.0mm Hex)	2	SW-338070B
228016-Seal	SWORKz 1/8 BBS Precision Plastic Shock Seal Part (2 Sets)	2	SW-228016-Seal	338080	S35 Series Lightened Wheel Hub for 8mm Axil (L5.5mm)	4	SW-338080
224007L3.5-6	SWORKz 1/10 Plastic Ball End XS (5.5mm)	2	SW-224007L3.5-6	338082A	S35-4/GT2/E Series T7075 Aluminum Intensity Rear/Front Narrow Lower Suspension Plate (RF)	1	SW-338082A
210046	S350 Series LDS Universal Cross Drive Shaft Set 92.5mm (1pc)	4	SW-210046	338112	S35-4 Series T7075 Aluminum Front Shock Tower for High Capacity Shock System	1	SW-338112
210043	S350 Professional Matel Brake Calipers 2.0 A Side	2	SW-210043	338113	S35-4 Series T7075 Aluminum Rear Shock Tower for High Capacity Shock System	1	SW-338113
210043	S350 Professional Matel Brake Calipers 2.0 B Side	2	SW-210043	338115	S35-4 EVO Nitro Series T7075 Aluminum Lightened Main Chassis	1	SW-338115
210018	Brake Spring	2	SW-210018	338122-R	S35/S350/Apollo Series Lightened Steering Knuckle Pivot Ball Turnbuckle (Clockwise)	2	SW-338122-R
210018	Throttle Rod 50mm	1	SW-210018	338122-L	S35/S350/Apollo Series Lightened Steering Knuckle Pivot Ball Turnbuckle (Anti-Clockwise)	2	SW-338122-L
210018	Throttle Rod Spring	1	SW-210018	338123	S35-4/e EVO Series Servo Saver Post Lay-Down Type (Hard Coated)	1	SW-3380123
210018	Brake Rod 60mm	2	SW-210018	338124	S35-4/e EVO Series T7 Aluminum Steering Plate	1	SW-3380124
200193	Antenna Tube	1	SW-200193	338126	S35-4/e EVO Series T7 Aluminum Setting Bellcrank Upper Part-A	1	SW-3380126
258001CN	S35 Series Falcon ST-4 Clean Body Shell (Pre-Cut for Nitro Buggy)	1	SW-258001CN	340003	S35-3 Series Pro-composite Carbon Front Upper Arm Cover Set (1mm)	2	SW-340003
320010	S35-3W Diff. Bevel Gear 10T	12	SW-328001	340016	S35-4 Series Pro-composite Carbon Rear Wheel Hub Adjust Plate (R=L)	4	SW-340016
320009	S35-3W Diff. Bevel Gear 20T	6	SW-328001	348005	S35-4/e EVO Series Pro-composite Carbon Steering Knuckle Plate (L&R)	2	SW-348005
330006	Tornado Clutch Shoes	3	SW-330006	348006	S35-4 EVO Nitro Series Pro-composite Carbon Center Diff. Plate	1	SW-348006
330008A	SWORKz Tornado Fly Wheel Set (GM)	1	SW-330008A	348007	S35-4/e EVO Series Pro-composite Carbon Steering Bellcrank Plate	1	SW-348007
330008A	Tornado Fly Wheel Center Nut	1	SW-330008A	420026	S350/S350T Series Option Air Filter Extension Adapter	1	SW-420026
330008A	Fly Wheel Collect	1	SW-330008A	420011	Fuel Tube	2	SW-420011
330015	Pin M2.2x9.9mm	6	SW-330015	420010	Antenna Cup	1	SW-420010
330100A	S350 Engine Mount (L) (HC)	1	SW-330100A	410038	Super Silicone Tube 2455x30mm (Transparent)	1	SW-410038
330100A	S350 Engine Mount (R) (HC)	1	SW-330100A	400002	O-ring S5 4.8X1.5	6	SW-400002
330104	Brake Cam (S)	1	SW-330104	400005	Shock Spring Adjust Nut O-Ring	4	SW-400005
330104	Brake Cam (L)	1	SW-330104	400006	Shock Seal O-Ring	8	SW-400006
330104	Brake Cam	1	SW-330104	400009	Shock Boot (L)	2	SW-400009
330117A	S350 Series Knuckle Pivot Ball Washer(GM)	2	SW-330117A	400010	Shock Boot (S)	2	SW-400010
330118A	S350 Series Knuckle Pivot Ball Nut(GM)	4	SW-330118A	400019	S350 New BBS System Shock Spring Adjust Nut O-Ring	4	SW-400019
330119	Front Upper Arm HingPin	2	SW-330119	400020	S350 New BBS System Shock Seal O-Ring	4	SW-400020
330122A	S350 Wheel Nut (HC)	4	SW-330122A	400024S	S35 Series BBS System Hex-Cell Shock Bladder(Soft)	4	SW-400024S
330123A	S350 EVO Rear Upper Sus. Arm Turnbuckles M5x38mm	2	SW-330123A	540003	CABLE STRAPS FOR AIRFILTER	2	SW-540003
330124	Pin M3.0x16.8mm	4	SW-330124	518003	S35 Series Falcon ST-4 Clean Body Shell Window Mask	1	SW-258001CN
330125	Rear Upper Sus. Arm Ball Stud	4	SW-330125	518001	S35-4 Body Decal Sheet	1	SW-258001CN
330126A	S350 EVO Steering Turnbuckle M4x40mm	2	SW-330126A	510080A	SWORKz 1/8 Off Road Formula Race Wing Decal	1	SW-228008BK
330134	Shock Ball Stud	12	SW-330134	510091	SWORKz Original Logo Sticker	1	SW-510091
330136	Sway Bar Ball Stud	4	SW-330136	610019	S35-3 Series Servo Saver Spring Dusty Protect Sponge	1	SW-610019
330137	Clutch Bell 13T	1	SW-330137	610020P	S35 Series Center Big Bore Diff. Paper Gasket (0.4T)	1	SW-610020P
330138B	S350 EVO Aluminum Shock Cap Stud (-1.3mm)	4	SW-330138B	610023P	S35-4 HET Diff. Paper Gasket (0.4T)	2	SW-610023P
330140A	Pipe Holder (GM)	1	SW-330140A	610025	SWORKz 1/8 Nitro Buggy High Density Air Filter Foam Set	1	SW-610025
330140A	Pipe Spring	1	SW-330140A	115003A	SWORKz Tornado Clutch Spring II (1.0mm)	3	SW-115003A
330155	Steering Servo Turnbuckle (M3x30mm)	2	SW-330155	115005	Rear Sway Bar 2.8mm	1	SW-115005
330156A	Adjuster Knob(GM)	4	SW-330156A	115006	Rear Sway Bar 2.6mm	1	SW-115006
330157A	Brake Adjuster Knob(GM)	2	SW-330157A	115008A	Front Sway Bar 2.3mm	1	SW-115008A
330243	SWORKz 3x16mm Shock Hex Screw Clockwise	2	SW-330243	115011A	S35-GT Series Pipe Spring (L)	1	SW-115011A
330244	SWORKz 3x16mm Shock Hex Screw Anti-Clockwise	2	SW-330243	105012	M3x10mm Cap Screw	2	SW-115012
330299	S104 Steering Linkage Ball Stud 5mm	2	SW-330299	115019	Body Clip	2	SW-115019
330399B	S35-3 Series Aluminum Rear Chassis Brace Mount (GM)	1	SW-330399B	115035A	Front Sway Bar 2.2mm	1	SW-115035A
330557	S350 New BBS System Shock Seal Cap (GM)	4	SW-330557	115098	Brake Pad Spring	4	SW-115098

Parts No. List

Part No.	Part Name	Q'ty in Use	Item No.
115182	S35-4 Black Competition Front Shock Spring (US4-Dot)(62X1.6X7.5)	2	SWC-115182
115191	S35 Series Competition Black Line Rear Shock Spring (RM3-Dot)(80X1.6X10.0)	2	SWC-115191
116004R	Ball Bearing 6x10x3mm (Red Rubber Case)(4PC)	4	SW-116004R
116006R	Ball Bearing 8x16x5mm (Red Rubber Case)(10PC)	14	SW-116006R
116009	Ball Bearing M5x8x2.5 ZZ (4PC)	2	SW-116009
116010R	Ball Bearing 5x10x4mm (Red Rubber Case)	2	SW-116010R
116019R	Ball Bearing 5x13x4mm (Red Rubber Case)	4	SW-116019R
117003	Flange Ball Bearing 3x6x2.5mm	4	SW-117003
118003	S35-4 EVO series Servo Saver Spring	1	SW-118003
101004	Washer 3.5X10X0.2mm	12	SW-101004
101010A	M3 Countersunk Washer (GM)	4	SW-101010A
101011	M2.6x6xT0.6mm	4	SW-101011
101012	M3x6xT0.6mm	2	SW-101012
101013	3mm Spring Washer	4	SW-101013
101015	M5x8xT0.4mm	4	SW-101015
101016	M5x8xT0.8mm	1	SW-101016
101018	SHIM 13x16x0.2mm	12	SW-101018
101019	SHIM 6.0x10.0x0.2mm	1	SW-101019
101020A	S350 Sries 3mm Countersunk Washers (GM)	1	SW-101020A
101027	S350 BBD Steel Washer 5X14X0.5mm	3	SW-101027
101039	Steel Washer 5x12x0.3mm	6	SW-101039
103001	M3 Nut Lock	30	SW-103001
103003A	Flange M3 Nut Lock (GM)	5	SW-103003A
103004	M2.5mm Nut Lock	8	SW-103004
103007	M3mm Nut Lock Thim (BK)	2	SW-103007
104002	Set Screw M3x10	1	SW-104002
104004	M3x3mm Set Screw	13	SW-104004
104005	M3x4mm Set Screw	4	SW-104005
104010	M5x4mm Set Screw (Flat Bottom)	6	SW-104010
104011	M4x4mm Set Screw (Flat Bottom)	1	SW-104011
105001	M3x8mm Cap Screw	2	SW-105001
105005	M3x12mm Cap Screw	10	SW-105005
105006A	M3x28mm Cap Screw full thread	2	SW-105006A
105007A	M4x8mm I-Head Screw Thin	4	SW-105007A
105013A	M3x25mm Cap Screw	4	SW-105013A
105018	M2x6mm Cap Head Screw	1	SW-105018
105021	M3x6mm Conical Head Screw	4	SW-105021
106001	M3x8mm Hex Soket OH/TP Screw	3	SW-106001
106002	M3x10mm Hex Soket OH/TP Screw	12	SW-106002
106003	M3x16mm Hex Soket OH/TP Screw	8	SW-106003
106006	M3x20mm Hex Soket OH/TP Screw	5	SW-106006
106007	M3x12mm Hex Soket OH/TP Screw (HT)	9	SW-106007
106008	M3x12mm Hex Soket OH/TP Screw	6	SW-106008
106009	M3x25mm Hex Soket OH/TP Screw	10	SW-106009
106013	M2.5x8mm 1.5mmHex Soket OH/ST Screw	6	SW-106013
106015	M3x5mm Hex Soket OH/TP Screw	2	SW-106015
106020	M2.5x5mm 1.5mmHex Soket OH/ST Screw	14	SW-106020
106022	M2.5x14mm Soket OH/ST Screw (1.5mmHex)	4	SW-106022
106025	M2.5x8mm Hex Soket OH/TP Screw	5	SW-106025
106021A	S35 Series M4x10mm Hex Soket OH/TP Set Screw	4	SW-106021A
108001	M3x12mm FH/ST HEX Screw	18	SW-108001
108003	M3x10mm FH/ST HEX Screw	23	SW-108003
108005	M3x14mm FH/ST HEX Screw	4	SW-108005
108006	M3x8mm FH/ST HEX Screw	21	SW-108006
108007	M3x6mm FH/ST HEX Screw	10	SW-108007
108008	M3x35mm FH/ST HEX Screw	4	SW-108008
108010	M4x10mm FH/ST HEX Screw	6	SW-108010
108012	M4x16mm FH/ST HEX Screw	8	SW-108012
108013	M4x8mm FH/ST HEX Screw	1	SW-108013
108015	M3x16mm FH/ST HEX Screw	2	SW-108015
108019	M2.6x6mm FH/ST HEX Screw	2	SW-108019
108021	M3x18mm FH/ST HEX Screw	2	SW-108021
108029	M2.0x4.6mm FH/ST HEX Screw (1.5mm HexHead)	4	SW-108029

Spare Part List

Item No.	Part Name
SW-228001DG	S35-4 All Series Plastic Inserts Set (Durable)(Gray)(2 Sets)
SW-228002-1	S35-4 Series Plastic Rear Wheel Hub (R=L)(2PC)
SW-228002-2	S35 Series Plastic Front Chassis Shorty Brace (1PC)
SW-228003A	S35 Series Integrated Wing Mount Set 2.0
SW-228004A	S35-4 Series Plastic Side Guard Set with Stopper
SW-2280055-F	S35-4 Series Front Lower Arm in Soft Material (1PC)
SW-228015H	SWORKz S35-4 Series Arched-Bridge-System Rear Lower Arm Set (Hard)(1PC)
SW-228006	S35 Series Shock End/Body Mount/Ball Ends Set (2Set)
SW-228006-5	SWORKz 1/8 Series Plastic Linkage Ball End (Shorty)(2PC)
SW-228008BK	SWORKz 1/8 Off Road Formula 2.0 Race Wing (BK)
SW-2501097B	S35 Series Front Bumper (2PC)
SW-2501115	S350 Rear Lower Arm Dusty Cover with Fuel Sprinkle Guard
SW-2501121C	S35/S350 Series Ball End Set with Shock Plastic Parts
SW-2501124	S350 Center Diff. Mount Set (2 Set)
SW-2501126A	S350/S350T Series Option Air Filter Extension Set
SW-2501529	S350 BX1/BR1Rear Chassis Brace
SW-2502040-02	S350T Body Mount with Fuel Tank Ring-pull
SW-2503260	S353 Series Plastic Inserts Set
SW-2503261A	S35-3/GT Series Gear Box Set (Fit 5x13x4mm Ball Bearing)
SW-2503262	S35-3 Nitro Buggy Radio Tray Set
SW-2503264A	S35-3 Series Front Steering Knuckle (Type 2.0)
SW-2503270-01	S35-3 Series Front Upper Arms (2pc)
SW-2503270-02	S35-3 Series Rear Upper Arm Outside Ball Ends (2pc)
SW-2503270-03	S35-3 Series Front Steering Ball Ends (4pc)
SW-200193	Antenna Tube
SW-210018	Throttl Linkage Set
SW-210033-D90	S35/Apollo Nitro Floating Fuel Filter System with 90 Degree Fuel outlet Tank
SW-210043	S350 Professional Matel Brake Calipers 2.0 Set
SW-210046	S350 Series LDS Universal Cross Drive Shaft Set 92.5mm (1pc)
SW-210079A	S35-4 Plastic Center Big Bore HET Diff Case
SW-210091	S35-3W Plastic Front/Rear Big Bore Diff Case
SW-228016-1.2-8	SWORKz 1/8 BBS Precision Plastic Shock Piston (1.2X8Holes)(2PC)
SW-228016-1.3-8	SWORKz 1/8 BBS Precision Plastic Shock Piston (1.3X8Holes)(2PC)
SW-228016-DIY	SWORKz 1/8 BBS Precision Plastic Shock Piston (DIY)(4PC)
SW-228017	S35-4/e EVO Series Lay-Down Type Steering Bellcrank Set
SW-228021	SWORKz 1/8 Steering and Throttle Servo Horn Set
SW-224007L3.5-6	SWORKz 1/10 Plastic Ball End XS (5.5mm)(2PC)
SW-258001CN	S35 Series Falcon ST-4 Clean Body Shell (Pre-Cut for Nitro Buggy)
SW-328001	S35-3/4 Series HET Diff. Bevel Gear Set
SW-330006	Tornado Clutch Shoes
SW-330008A	SWORKz Tornado Fly Wheel Set (GM)
SW-330015	Pin M2.2x9.9mm
SW-330100A	S350 Sseries Engine Mount Set (HC)
SW-330104	Brake Cam Set
SW-330117A	S350 Series Knuckle Pivot Ball Washer (GM)
SW-330118A	S350 Series Knuckle Pivot Ball Nut (GM)
SW-330119	Front Upper Arm HingPin
SW-330122A	S350 Wheel Nut (HC)
SW-330123A	S350 EVO Rear Upper Sus. Arm Turnbuckles M5x38mm
SW-330124	Pin M3.0x16.8mm
SW-330125	Rear Upper Sus. Arm Ball Stud
SW-330126A	S350 EVO Steering Turnbuckle M4x40mm
SW-330134	Shock Ball Stud 6mmxL6.7
SW-330136	Sway Bar Ball Stud
SW-330137	Clutch Bell 13T
SW-330138B	S350 Series Aluminum Shock Cap Stud (-1.3mm)(2PC)
SW-330140A	S350 SeriesPipe Holder(GM)
SW-330155	Steering Servo Turnbuckle (M3x30mm)
SW-330156A	S350 Series Adjuster Knob (Included Brake Adjuster Knob)(GM)
SW-330157A	Brake Adjuster Knob (GM)
SW-330243	SWORKz 3x18mm Shock Hex Screw Set (Anti-Clockwise)
SW-330252	S350 BX1/BR1 Steering Knuckle Pivot Ball Turnbuckle
SW-330299	S104 Steering Linkage Ball Stud 5mm (4pc)
SW-330399B	S35-3 Series Aluminum Rear Chassis Brace Mount (GM)
SW-330557	S350 New BBS System Shock Seal Cap (GM)
SW-330560B	S35 New BBS System Shock Spring Adjust Nut (BK)
SWC-330580C	S35 Nitro Series Competition Soltted Brake Disc
SW-330633	S350 BBS System +5.6mm Shock Body L
SW-330634	S350 BBS System +5mm Shock Body S
SW-330661A	S35-T/S35 Series Competition Center Drive Join (5mm set screw)
SW-330663A-112	S35 Competition Steel Center Drive Shaft (ST-112mm)
SW-330767A	S35-3 Series Steel F-Center Dive Shaft (88mm)
SW-330770	S35-3 Series Aluminum Rear Lower Fully Adjustable Toe-In Block (A)
SW-330779	S35-4/e EVO Series Steering Linkage Steel Ball Stud 7mm (L6)
SW-330779T-ST	S35-4/e EVO Steering Linkage Steel Ball Stud 7mm (L6 Thread Type)

Spare Part List

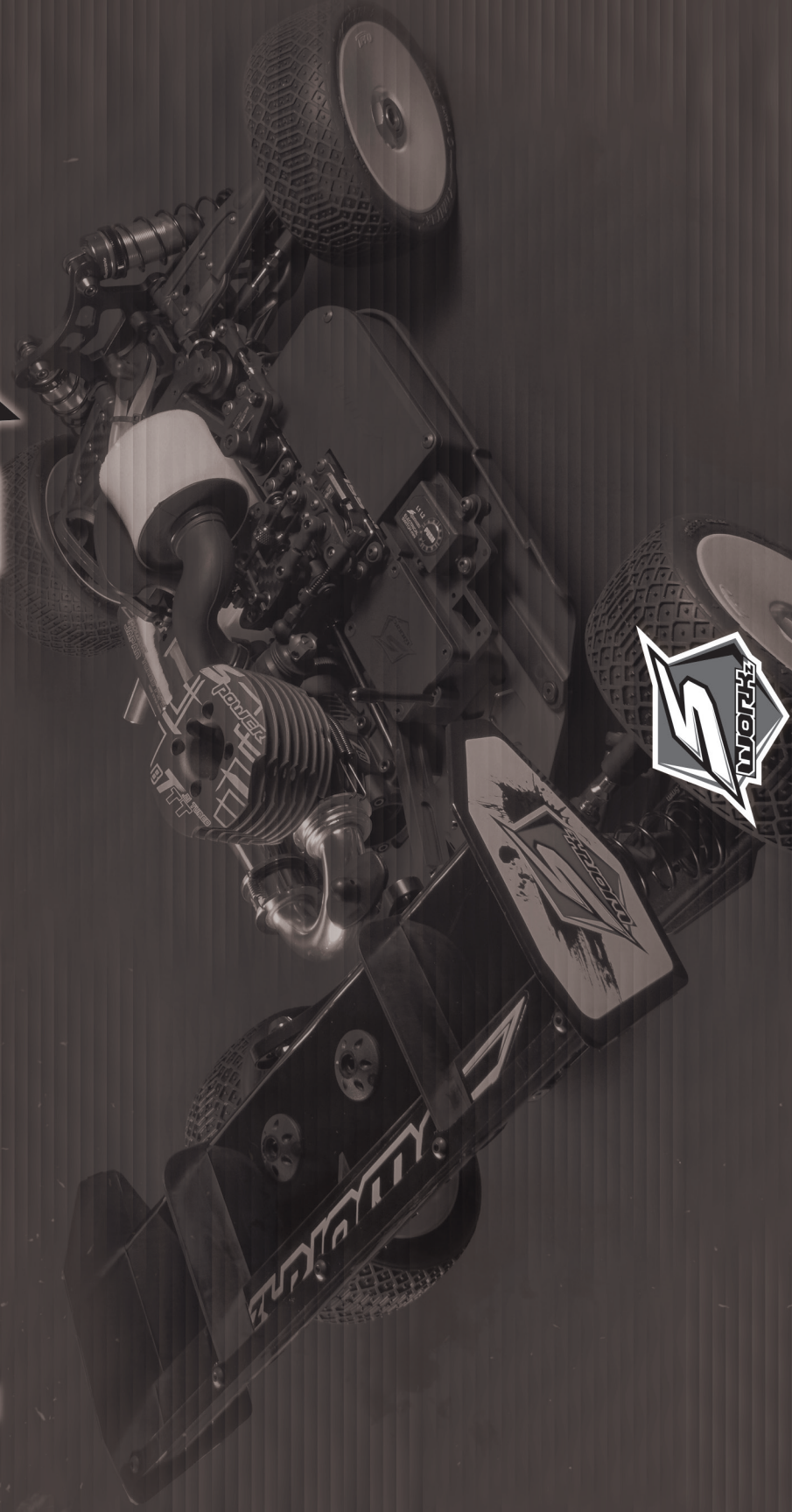
Item No.	Part Name	Item No.	Part Name
SW-330782	S35-3 Series Rear Hub Carriers Hinge Pin	SW-105006A	M3x28mm Cap Screw full thread
SW-338011	S35-3 series Pinion Gear Stopper (5x7x5.1mm)(4PC)	SW-105007A	M4x8mm I-Head Screw Thin
SW-338014	S35-3WT-7075AL Rear Lower Fully Adjustable Toe-In Block(3 degree)	SW-105012	M3x10mm Cap Screw (10pc)
SW-338023	S35-3W Pinion Gear 13T	SW-105013A	M3x25mm Cap Screw
SW-338024	S35-3W Crown Gear 43T	SW-105018	M2x6mm Cap Head Screw
SW-338025	S35-4 HET Bevel Gear Shaft (2pc)	SW-105021	M3x6mm Conical Head Screw (10PC)
SW-338027	S35-4 Front/Rear HET Diff. Outdrive (2pc)	SW-106001	M3x8mm Hex Soket OH/TP Screw
SW-338028	S35-4 Center HET Diff. Outdrive (2pc)	SW-106002	M3x10mm Hex Soket OH/TP Screw
SW-338040	S35-4 Series Center Spur Gear for Big Diff. Bevel Gear Case (47T)	SW-106003	M3x16mm Hex Soket OH/TP Screw
SW-338043	S35-3/4 Series Servo Saver Nut with Screw Fixed	SW-106006	M3x20mm Hex Soket OH/TP Screw
SW-338048	S35-4 Series Servo Saver Shaft (2PC)	SW-106007	M3x12mm Hex Soket OH/TP Screw(HT)
SW-338056	S35-4 Series Lower Arm Hinge Pin (68.5mm)(2pc)	SW-106008	M3x12mm Hex Soket OH/TP Screw
SW-338057A	S35-4/e EVO Series T7 Aluminum Front Upper Arm Holder	SW-106009	M3x25mm Hex Soket OH/TP Screw
SW-338058A	S35-4/e EVO Series 5mm T7 Aluminum Front Lower Arm Plate (FF)	SW-106013	M2.5x8mm 1.5mmHex Soket OH/ST Screw
SW-338059	S35-4 Series T7 Aluminum Front Lower Arm Holder (FR)	SW-106015	M3x5mm Hex Soket OH/TP Screw
SW-338062A	S35-4 Series BBS System Teflon Coated Durable Shock Shaft (L)	SW-106020	M2.5x5mm 1.5mmHex Soket OH/ST Screw
SW-338063A	S35-4 Series BBS System Teflon Coated Durable Shock Shaft (S)	SW-106021A	S35 Series M4x10mm Hex Soket OH/TP Set Screw
SW-338067	S35-4 Series Emulsion/Bladder 2 Ways Syatem Shock Cap (2PC)	SW-106022	M2.5x14mm Socket OH/ST Screw (1.5mmHex)
SW-338068	S35-4 Series T7 Aluminum Shock Stud (L)(2PC)	SW-108001	M3x12mm FH/ST HEX Screw
SW-338070B	S35 Series Rear Upper Sus. Arm Ball Stud (7.0mm Hex)	SW-108003	M3x10mm FH/ST HEX Screw
SW-338080	S35/S350 Series Lightened Wheel Hub for 8mm Axil (L5.5mm)	SW-108005	M3x14mm FH/ST HEX Screw
SW-338082A	S35-4/GT2/E Series T7075 Aluminum Intensity Rear/Front Narrow Lower Suspension Plate (RF)	SW-108006	M3x8mm FH/ST HEX Screw
SW-338112	S35-4 Series T7075 Aluminum Front Shock Tower for High Capacity Shock System	SW-108007	M3x6mm FH/ST HEX Screw
SW-338113	S35-4 Series T7075 Aluminum Rear Shock Tower for High Capacity Shock System	SW-108008	M3x35mm FH/ST HEX Screw
SW-338115	S35-4 EVO Nitro Series T7075 Aluminum Lightened Main Chassis	SW-108010	M4x10mm FH/ST HEX Screw
SW-338122-R	S35/S350/Apollo Series Lightened Steering Knuckle Pivot Ball Turnbuckle (Clockwise)(2PC)	SW-108012	M4x16mm FH/ST HEX Screw
SW-338122-L	S35/S350/Apollo Series Lightened Steering Knuckle Pivot Ball Turnbuckle (Anti-Clockwise)(2PC)	SW-108013	M4x8mm FH/ST HEX Screw
SW-338123	S35-4/e EVO Series Servo Saver Post Lay-Down Type (Hard Coated)	SW-108015	M3X16mm FH/ST HEX Screw (10pc)
SW-338124	S35-4/e EVO Series T7 Aluminum Steering Plate	SW-108019	M2.6x6mm FH/ST HEX Screw
SW-338126	S35-4/e EVO Series T7 Aluminum Setting Bellcrank Upper Part-A	SW-108029	M2.0x4.6mm FH/ST HEX Screw (1.5mm HexHead)
SW-348005	S35-4/e EVO Series Pro-composite Carbon Steering Knuckle Plate (L&R)(1PC)	SW-108021	M3x18mm FH/ST HEX Screw (10PC)
SW-348006	S35-4 EVO Nitro Series Pro-composite Carbon Center Diff. Plate (1PC)	SW-115003A	SWORKz Tornado Clutch Spring II (1.0mm)
SW-348007	S35-4/e EVO Series Pro-composite Carbon Steering Bellcrank Plate (1PC)	SW-115004A	Servo Saver Spring
SW-340003	S35-3 Series Pro-composite Carbon Front Upper Arm Cover Set (1mm)	SW-115005	Rear Sway Bar 2.8mm
SW-340016	S35-4 Series Pro-composite Carbon Rear Wheel Hub Adjust Plate (R=L)(2PC)	SW-115006	Rear Sway Bar 2.6mm
SWC-330647	S350 BBD Special Brake Cam	SW-115008A	Front Sway Bar 2.3mm
SW-400002	O-ring S5 4.8X1.5	SW-115011A	S35 Series Pipe Spring (+10mm Longer)
SW-400005	Shock Spring Adjust Nut O-Ring	SW-115019	Body Clip
SW-400006	SWORKz 1/8 BBS Shock Seal O-Ring (8PC)	SW-115035A	S35/350 Series Front Sway Bar 2.2mm
SW-400009	Shock Boot (L)	SW-115098	Brake Pad Spring
SW-400010	Shock Boot (S)	SWC-115182	S35-4 Black Competition Front Shock Spring (US4-Dot)(62X1.6X7.5)
SW-400019	S350 New BBS System Shock Spring Adjust Nut O-Ring (4pc)	SWC-101027	S35 BBD Steel Washer 5X14X0.5mm
SW-400020	S350 New BBS System Shock Seal O-Ring (4pc)	SWC-115191	S35 Series Competition Black Line Rear Shock Spring (RM3-Dot)(80X1.6X10.0)
SW-400024S	S35 Series BBS System Hex-Cell Shock Bladder (Soft)(4PC)	SW-116004R	Ball Bearing 6x10x3mm (Red Rubber Case)(4PC)
SW-410038	Super Silicone Tube 2455x30mm (Transparent)	SW-116006R	Ball Bearing 8x16x5mm (Red Rubber Case)(10PC)
SW-420010	Antenna Cup	SW-116019R	Ball Bearing 5x13x4mm (Red Rubber Case)(4PC)
SW-420026	S350/S350T Series Option Air Filter Extension Adapter	SW-116009	Ball Bearing M5x8x2.5 ZZ (4PC)
SW-510091	SWORKz Original Logo Sticker (2PC)	SW-116010R	Ball Bearing 5x10x4mm (Red Rubber Case)(4PC)
SW-540003	SWORKz Cable Straps for 1/8 Buggy Airfilter (10PC)	SW-117003	Flange Ball Bearing 3x6x2.5mm (2pc)
SW-610025	SWORKz 1/8 Nitro Buggy High Density Air Filter Foam Set (12 Sets)	SW-118003	S35-4 EVO series Servo Saver Spring
SW-610019	S35-3 Series Servo Saver Spring Dusty Protect Sponge (2pc)		
SW-610020P	S35 Series Center Big Bore Diff. Paper Gasket (0.4T)(3PC)		
SW-610023P	S35-4 HET Diff. Paper Gasket (0.4T)(3PC)		
SW-101004	Washer 3.5X10X0.2mm		
SW-101010A	M3 Countersunk Washer (GM)		
SW-101011	M2.6x6xT0.6mm		
SW-101012	M3x6xT0.6mm		
SW-101013	3mm Spring Washer		
SW-101015	M5x8xT0.4mm		
SW-101016	M5x8xT0.8mm		
SW-101018	SHIM 13x16x0.2mm		
SW-101019	SHIM 6.0x10.0x0.2mm		
SW-101020A	S350 Sries 3mm Countersunk Washers (GM)		
SW-101039	SWORKz HET Diff Steel Washer 5x12x0.3mm (10PC)		
SW-103001	M3 Nut Lock		
SW-103003A	Flange M3 Nut Lock (GM)		
SW-103004	M2.5mm Nut Lock		
SW-103007	M3 Nut Lock Thin Type (BK)(10PC)		
SW-104002	M3x10 Set Screw (10PC)		
SW-104004	M3x3mm Set Screw		
SW-104005	M3x4mm Set Screw		
SW-104010	M5x4mm Set Screw (Flat Bottom)		
SW-104011	M4x4mm Set Screw (Flat Bottom)		
SW-105001	M3x8mm Cap Screw		
SW-105005	M3x12mm Cap Screw		

Option Part List

Item No.	Part Name	Item No.	Part Name
SW-115026A	SWORKz Tornado Clutch Spring II (1.1mm)(GR)	SW-400023	S35-4 Series BBS System Seal O-Ring for Emulsion Shock Cap (4PC)
SW-115077A	SWORKz Tornado Clutch Spring II (0.9mm)(BK)	SW-400024M	S35 Series BBS System Hex-Cell Shock Bladder (Medium)(4PC)
SW-116010B	High Performance Ball Bearing 5x10x4mm (coffee)(4pc)	SW-610025C	SWORKz 1/8 Nitro Buggy High Density Air Filter Foam Set with Air Filter Oil
SW-250050	SWORKz 1/8 Off Road Formula Bulkhead Wing (4PC)/ Front Upper Arm's Wing Set (4PC)	SW-348003-10	SWORKz S35-4 Series Pro-composite Carbon Arched-Bridge-System Rear Lower Arm Cover (1.0mm)(2PC)
SW-250050A	SWORKz 1/8 Off Road Formula Bulkhead Lexan Wing (0.8mm)(4PC)	SW-348003-15	SWORKz S35-4 Series Pro-composite Carbon Arched-Bridge-System Rear Lower Arm Cover (1.5mm)(2PC)
SW-2501114-4	S35-3/S350 Nitro Series Center Brake Disk Holder	SW-348003-20	SWORKz S35-4 Series Pro-composite Carbon Arched-Bridge-System Rear Lower Arm Cover (2.0mm)(2PC)
SW-2501121-10	SWORKz 1/8 Series Shock Cap Insert (8pc)	SWC-116006C	SWORKz Competition 8x16x5mm Ball Bearing (Metal Case)(6PC)
SW-2503260-26	SWORKz 1/8 Series 8x16x5mm BB Plastic Inserts (4PC)	SWC-116010C	SWORKz Competition 5x10x4mm Ball Bearing (Metal Case)(6PC)
SW-2501126	Ail Filter Set	SWC-116019A	SWORKz Competition 5x13x4mm Ball Bearing (Metal Case)(4PC)
SW-2501529H	S35/S350 Series Hard Plastic Chassis Brace Set	SWC-116019B	SWORKz Competition 5x13x4mm Ball Bearing (Metal Case/Japan)(4PC)
SW-2503260FO	S353 Series Colorful Plastic Inserts Set (FO)	SW-115007	S35/S350 Series Rear Sway Bar 3.0mm
SW-2503260FY	S353 Series Colorful Plastic Inserts Set (FY)	SW-218001	S35/350 Series Font Sway Bar Set (2.0/2.1/2.2/2.3/2.4/.2.5/2.6/2.8mm)
SW-2503260LB	S353 Series Colorful Plastic Inserts Set (SB)(2 SET)	SW-218002	S35/350 Series Rear Sway Bar Set (2.4/2.5/2.6/2.7/2.8/3.0mm)
SW-2503270-01H	S35-3 Series Front Upper Arms with Hard Material (2pc)	SWC-218022-N	SWORKz S35-4/T2/GT2 Nitro Competition Ball Bearing Kit (Metal Case)(20PC)
SW-210079AH	S35-4 Plastic Center Big Bore HET Diff Case (Hard)	SWC-210088	S35-3 Nitro Series Pro-composite Carbon One Unit Radio Tray Set
SW-210091H	S35-4 Plastic Front/Rear Big Bore HET Diff Case (Hard)	SWC-210082A	SWORKz S35/GT Competition Ball Bearing Kit (Metal Case)(20PC)
SW-218005	S35-3/4 Series HET Center Big Bore Diff. Set (47T)	SWC-340007	S35-3 Series Pro-composite Carbon Front Upper Done Force Wing Set
SW-218006	S35-4 Series HET Front/Rear Big Bore Diff. Set (43T)	SWC-338006	SWORKz Tornado Hi-Performance Lightened Clutch Bell (13T)
SW-218008	S35-3 Series HET Diff. Combo Kit	SWC-338020	SWORKz Tornado Hi-Performance Lightened Clutch Bell (14T)
SW-218026-F	S35-4/e EVO Series BBS Higher Capacity Shock Complete Front Set	SWC-338015	S35-3 T-7075AL Rear Hub Carry for Wide Suspension (R=L)(1pc)
SW-218026-R	S35-4/e EVO Series BBS Higher Capacity Shock Complete Rear Set	SWC-115183	S35-4 Black Competition Front Shock Spring (US3-Dot)(62X1.6X7.75)
SW-218030	S35-4WE to Evo Upgrade Conversion Kit	SWC-115184	S35-4 Black Competition Front Shock Spring (US2-Dot)(62X1.6X8.0)
SW-218031	S35-4 EVO Lay-Down Type Steering Bellcrank Upgrade Package	SWC-115190	S35 Series Competition Black Line Rear Shock Spring (RM4-Dot)(80X1.6X9.75)
SW-228013BK	SWORKz 1/8 Off Road Pro-Speed 2.0 Race Wing (BK)(Pre-Holes)	SWC-115192	S35 Series Competition Black Line Rear Shock Spring (RM2-Dot)(80X1.6X10.25)
SW-228013WH	SWORKz 1/8 Off Road Pro-Speed 2.0 Race Wing (WH)(Pre-Holes)	SWC-218007A	S35 Series Evolution-CVA Drive Shaft Set 92.5mm (1 Sets)
SW-228013FY	SWORKz 1/8 Off Road Pro-Speed 2.0 Race Wing (FY)(Pre-Holes)	SWC-218007D	S35 Series Advance-CVD Drive Shaft Set 92.5mm (1 Sets)
SW-228001RD	S35-4 Series Colorful Plastic Inserts Set (Red)	SWC-338071	S35 Series Advance-CVD Drive Axil (1PC)
SW-2280055-F	S35-4 Series Front Lower Arm in Soft Material (1PC)	SWC-338072	S35 Series Advance-CVD Drive Shaft (92.5mm)(1PC)
SW-228005M-F	S35-4 Series Front Lower Arm in Medium Material (1PC)	SWC-338073	S35 Series Evolution-CVA Drive Axil (1PC)
SW-228015S	SWORKz S35-4 Series Arched-Bridge-System Rear Lower Arm Set (Soft)(1PC)	SWC-338074	S35 Series Evolution-CVA Drive Shaft (92.5mm)(1PC)
SW-228015M	SWORKz S35-4 Series Arched-Bridge-System Rear Lower Arm Set (Medium)(1PC)	SWC-338076	S35 Series E-CVA/A-CVD Pin M2.5x14 (2PC)
SW-228015U	SWORKz S35-4 Series Arched-Bridge-System Rear Lower Arm Set (Ultra-Hard)(1PC)	SWC-338077	S35-4 Series E-CVA/A-CVD Axil Join (2PC)
SW-228022ABK	SWORKz 1/8 Off Road Pro Race Wing (BK)(W/o Holes)	SWC-228012	1/8 E-CVD/A-CVA Axil Holder (10PC)
SW-228022AWH	SWORKz 1/8 Off Road Pro Race Wing (WH)(W/o Holes)	SWC-218020-6LD	S35 Series 1-Unit-Fit Aluminum Engine Mount Set (6 Degree Lay-Down)
SW-228022AFY	SWORKz 1/8 Off Road Pro Race Wing (FY)(W/o Holes)	SWC-218020-4LD	S35 Series 1-Unit-Fit Aluminum Engine Mount Set (4 Degree Lay-Down)
SW-300049	SWORKz S35-3/S350 Series Rear Stainless Chassis End Protection (2PC)	SWC-338095	S35 Series 1-Unit-Fit Aluminum Engine Mount (6 Degree Lay-Down)
SW-330006A	Tornado Clutch Shoes (2set)	SWC-338096	S35 Series 1-Unit-Fit Aluminum Engine Mount (Upper)(2PC)
SW-330115	Steering Knuckle Pivot Ball Turnbuckle	SWC-338097	S35 Series 1-Unit-Fit Aluminum Engine Mount (4 Degree Lay-Down)
SW-330116	14mm Knuckle Pivot Ball	SWC-338102	S35 Series Pro-Titanium Pivot Ball Turnbuckle (2PC)
SW-330125A	S350 Series Aluminum Rear Upper Sus. Arm Ball Stud (4pc)	SWC-338103	SWORKz 1/8 Series Pro-Titanium Linkage Turnbuckle (M5x35mm)(2PC)
SW-330134A	S350 Series Aluminum Shock Ball Stud (4pc)	SWC-338104	SWORKz 1/8 Series Pro-Titanium Linkage Turnbuckle (M4x40mm)(2PC)
SW-330136A	S350 Series Aluminum Sway Bar Ball Stud (4pc)	SWC-338105	SWORKz Pro-Titanium Linkage Turnbuckle (M3x30mm)(2PC)
SW-330168A	S35-3 Series Rear Chassis Blance wight 15g (2pc)		
SW-330202	S-WORKz Turbo Tornado Fly Wheel Set		
SW-330398A	SWORKz S350 Series Pro Wheel Nut (GM)		
SW-330420	S350 Series Knuckle Pivot Ball Balance Nut (5.5g) (2pc)		
SW-330424	S350 Series Aluminum Wing Holder (RED)		
SW-330424B	S350 Series Aluminum Wing Holder (BK)		
SW-330424G	S350 Series Aluminum Wing Holder (GM)		
SW-330505A	S35 Series Lightened Wheel Hub for 8mm Axil (L6.5mm)		
SW-330506A	S35 Series Lightened Wheel Hub for 8mm Axil (L5.0mm)		
SW-330568	S350 Buggy Series Aluminum Center Diff. Mount		
SW-330767	S35-3 Series T-7075 Aluminum F-Center Dive Shaft (88mm)		
SW-330779T-AL	S35-4/e EVO Steering Linkage Aluminum Ball Stud 7mm (L6 Thread Type)(4PC)		
SW-338029-16	S35-4 Series High Density Clutch Bell 16T		
SW-338029-17	S35-4 Series High Density Clutch Bell 17T		
SW-338030-57	S35-4 Series High Density Spur Gear for Big Bore Diff. Case (57T)		
SW-338030-58	S35-4 Series High Density Spur Gear for Big Bore Diff. Case (58T)		
SW-338030-59	S35-4 Series High Density Spur Gear for Big Bore Diff. Case (59T)		
SW-338030-60	S35-4 Series High Density Spur Gear for Big Bore Diff. Case (60T)		
SW-338036	SWORKz 1/8 Nitro Series Pipe Spring Lock (1 set)		
SW-338039	S35-3/4 Series Center HET Spur Gear (46T)		
SW-338041	S35-3/4 Series Center HET Spur Gear (48T)		
SW-338070A	S35 Series Rear Upper Arm Aluminum Ball Stud (2PC)		
SW-338075	S35-4 Series T7 Aluminum Rear Wheel Hub (R=L)(2PC)		
SW-338078-25	SWORKz Uni-Design 2-Way System Aluminum Steering Servo Horn 25T		
SW-338078-23	SWORKz Uni-Design 2-Way System Aluminum Steering Servo Horn 23T		
SW-338079-25	SWORKz Uni-Design Aluminum Throttle Servo Horn 25T		
SW-338079-23	SWORKz Uni-Design Aluminum Throttle Servo Horn 23T		
SW-340003A	S35-3 Series Pro-composite Carbon Front Upper Arm Cover (1.5mm)(2PC)		
SW-340022-10	S35-4/E Series Pro-composite Carbon Front Lower Arm Cover (1mm)(2PC)		
SW-340022-15	S35-4/E Series Pro-composite Carbon Front Lower Arm Cover (1.5mm)(2PC)		
SW-340022-20	S35-4/E Series Pro-composite Carbon Front Lower Arm Cover (2mm)(2PC)		
SW-400021	S350 New BBS System Shock Bladder (Soft)(4pc)		
SW-410023	Air Filter Adapter		

S35-4EVO

1/8 Off Road Nitro Power Pro Buggy



SPEEDMASTER HOBBY CO., LTD.

TEL: +886-3-538-7638

FAX: +886-3-538-7328

No.42, Ruiguang St., Xiangshan Dist.,

Hsinchu City 300, Taiwan (R.O.C.)

www.sworkz.com